

Broil King®

ASSEMBLY MANUAL & PARTS LIST - MANUEL DE MONTAGE & LISTE DE PIÈCES - MANUAL DE ARMADO Y LISTA DE PARTES



Broil King.
495055UK
495055CH
495055EU



Broil King.
496055UK
496055CH
496055EU

RETAIN FOR FUTURE REFERENCE - VEUILLEZ CONSERVER POUR REFERENCE ULTERIEURE - CONSERVER PARA FUTURAS CONSULTAS

Onward
SINCE 1906
MANUFACTURING COMPANY
LIMITED
585 KUMPF DRIVE
WATERLOO, ONTARIO, CANADA
N2V 1K3

info@omcbbq.com
1-800-265-2150

11412303 REV E 11/2019



HARDWARE INCLUDED / MATERIAL INCLUS / EQUIPOS INCLUIDO



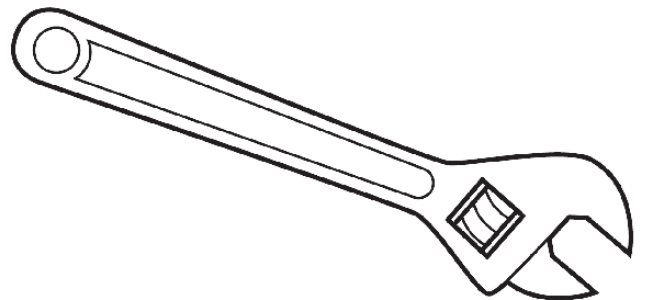
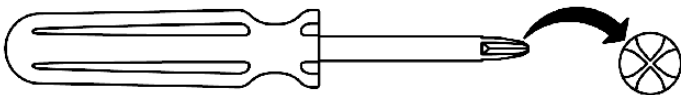
Y-12859S		X16	G01CH038		X2
Y-12865S		X12	Y-11560S		X2
49302-26		X1	Y-11698S		X2
63599-73		X2	S21061		X2
Y-29304S		X4	C03010		X2



TOOLS REQUIRED / OUTILS NECESSAIRES / HERRAMIENTAS NECESARIAS

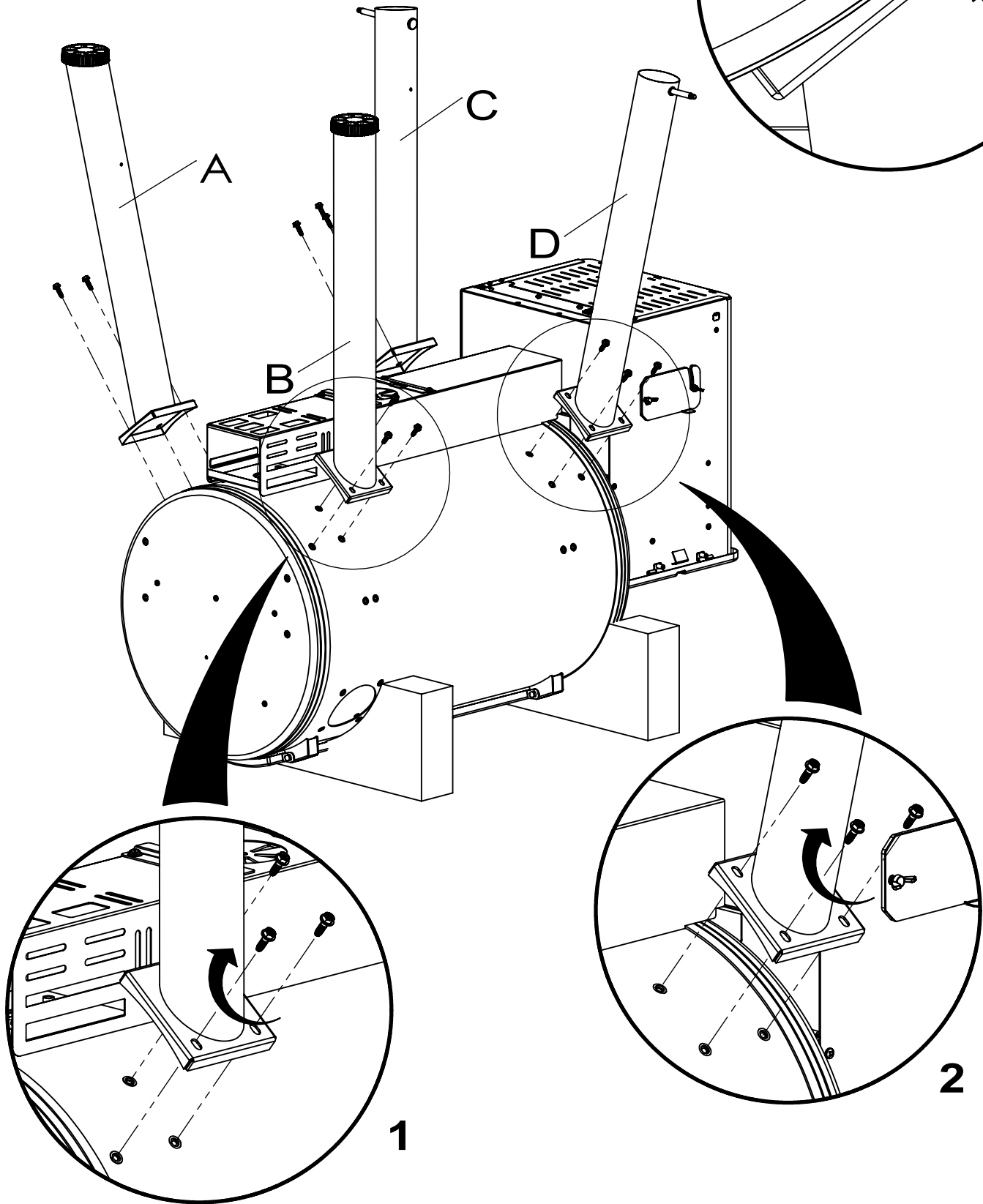
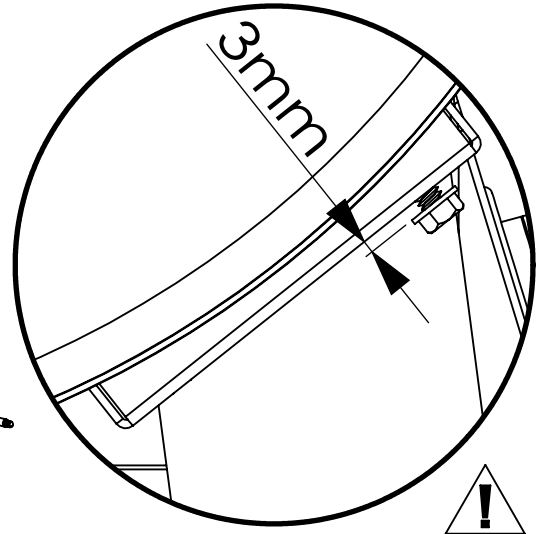
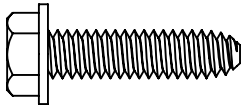


#3 PHILLIPS



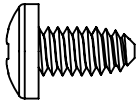
1

(12)

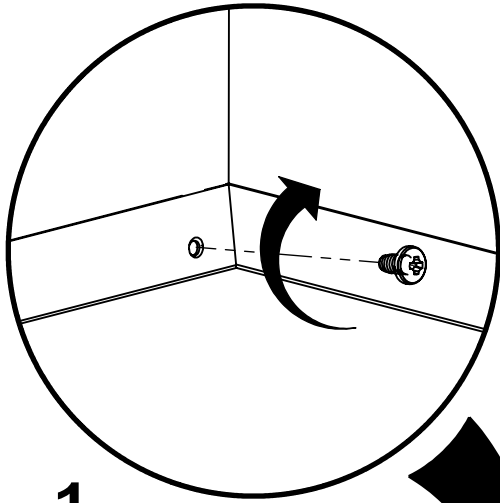


2

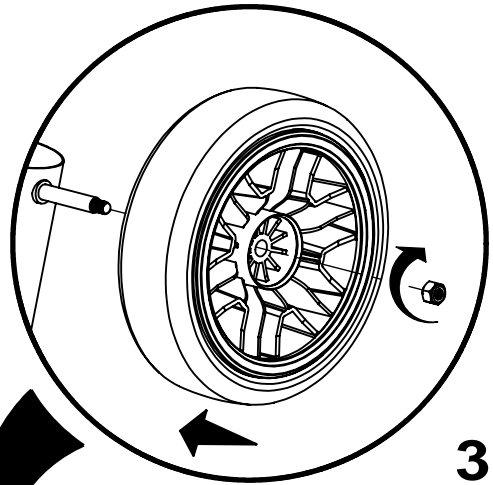
(4)



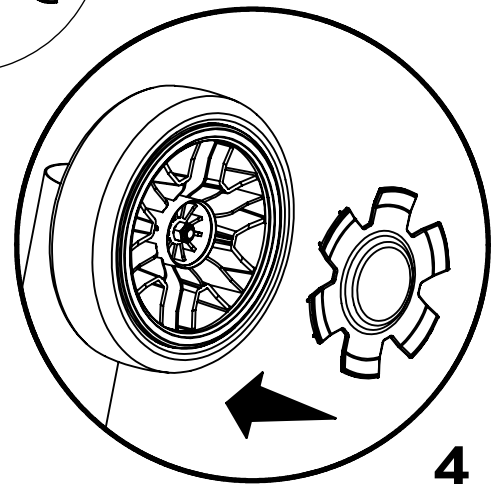
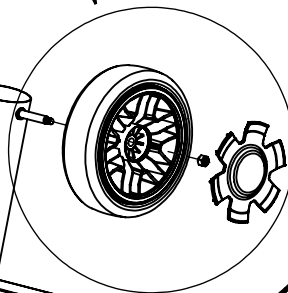
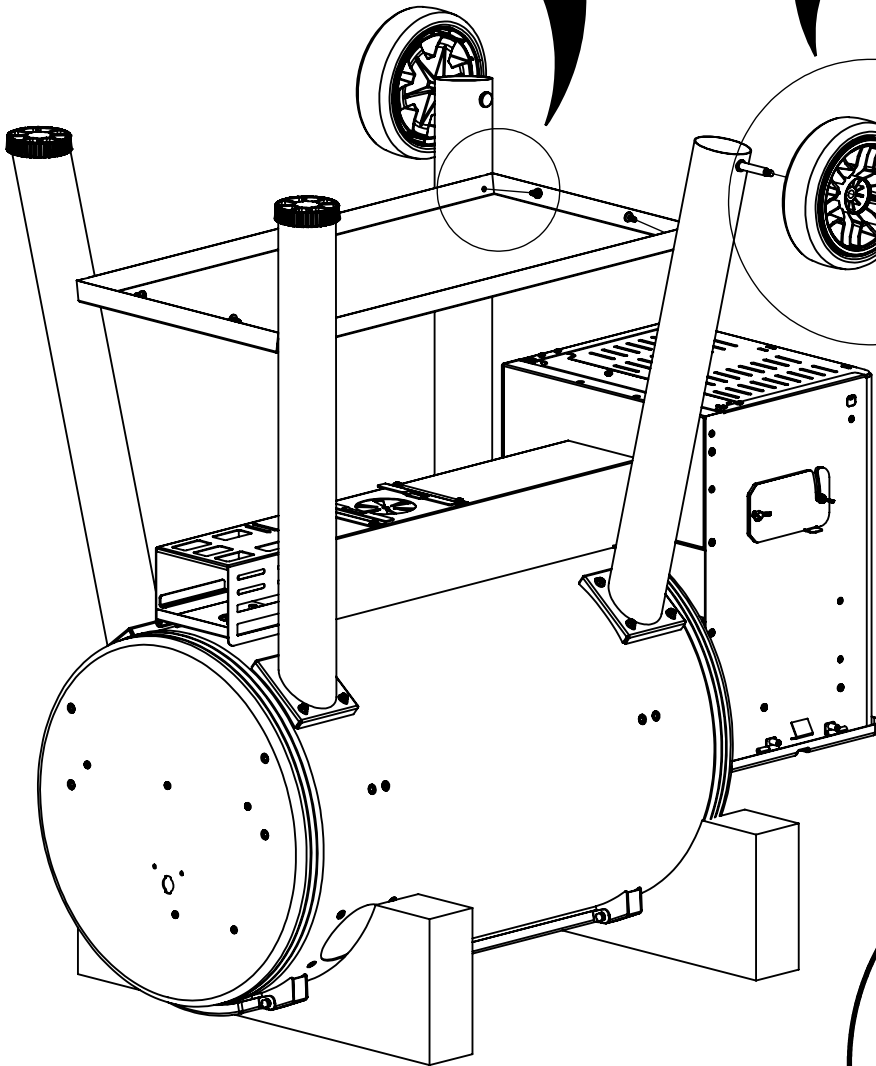
(2)



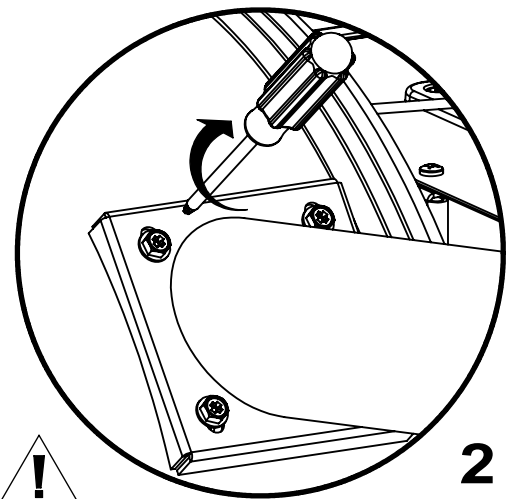
1



3



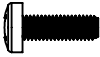
4

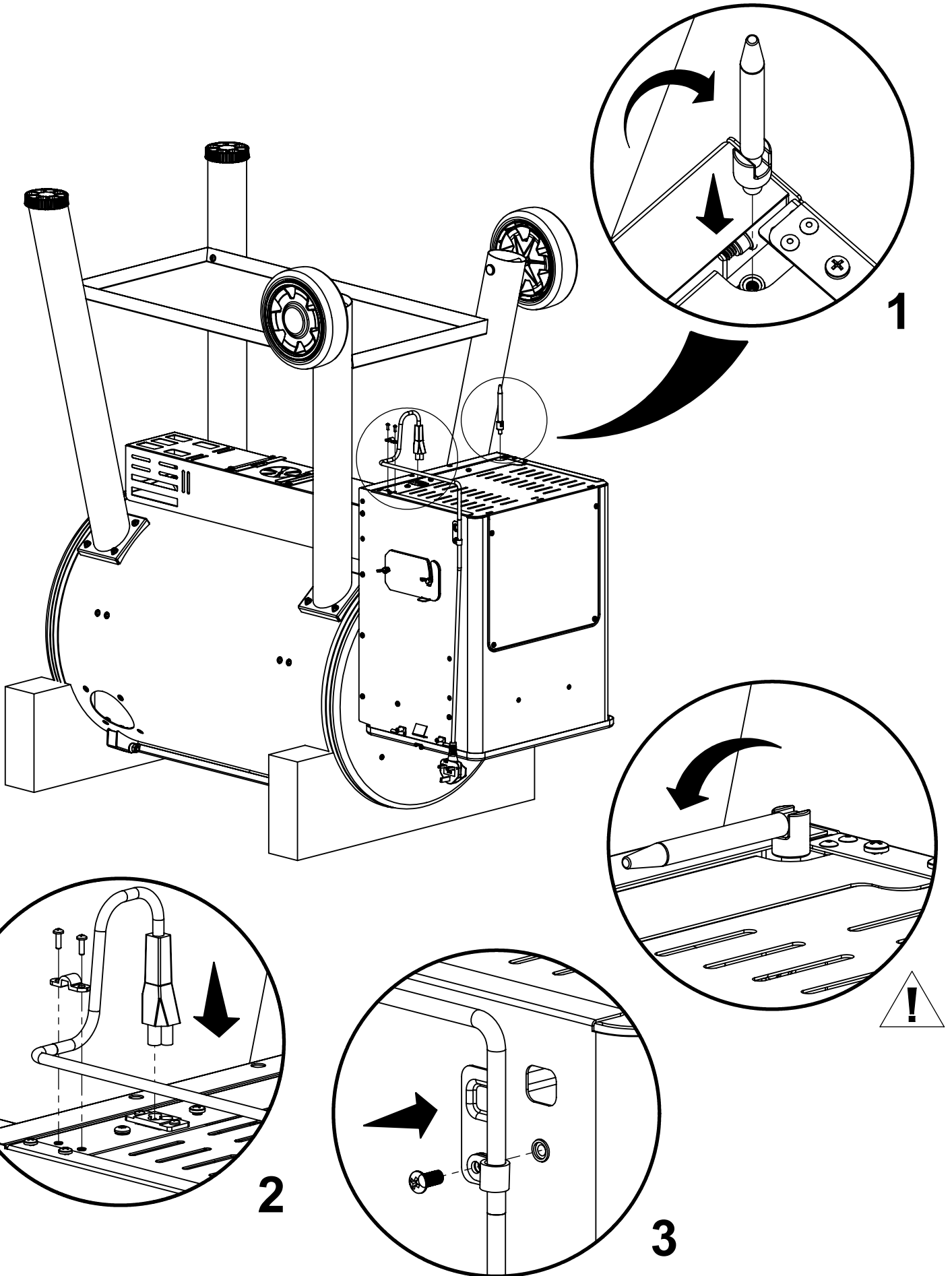


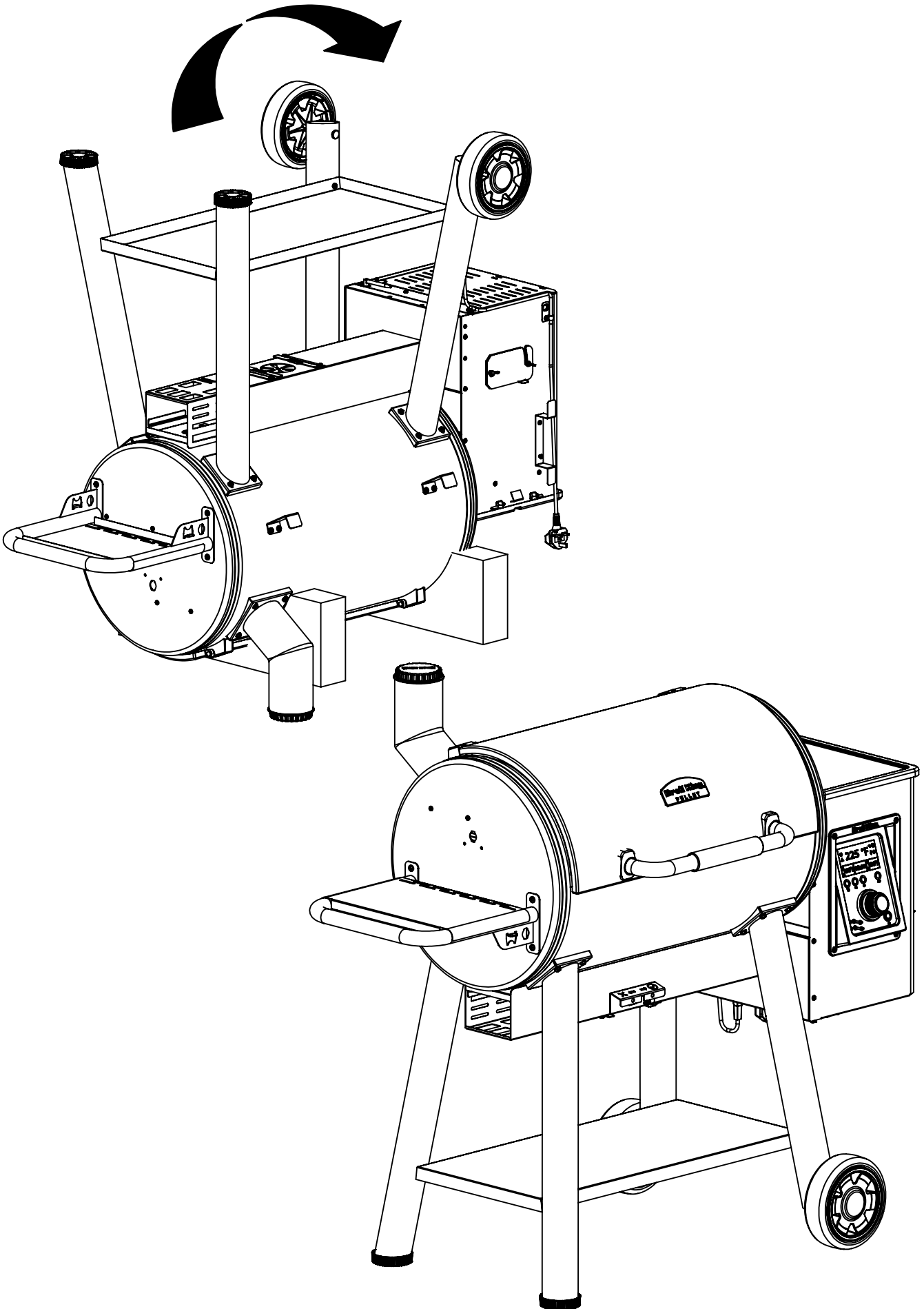
2



3

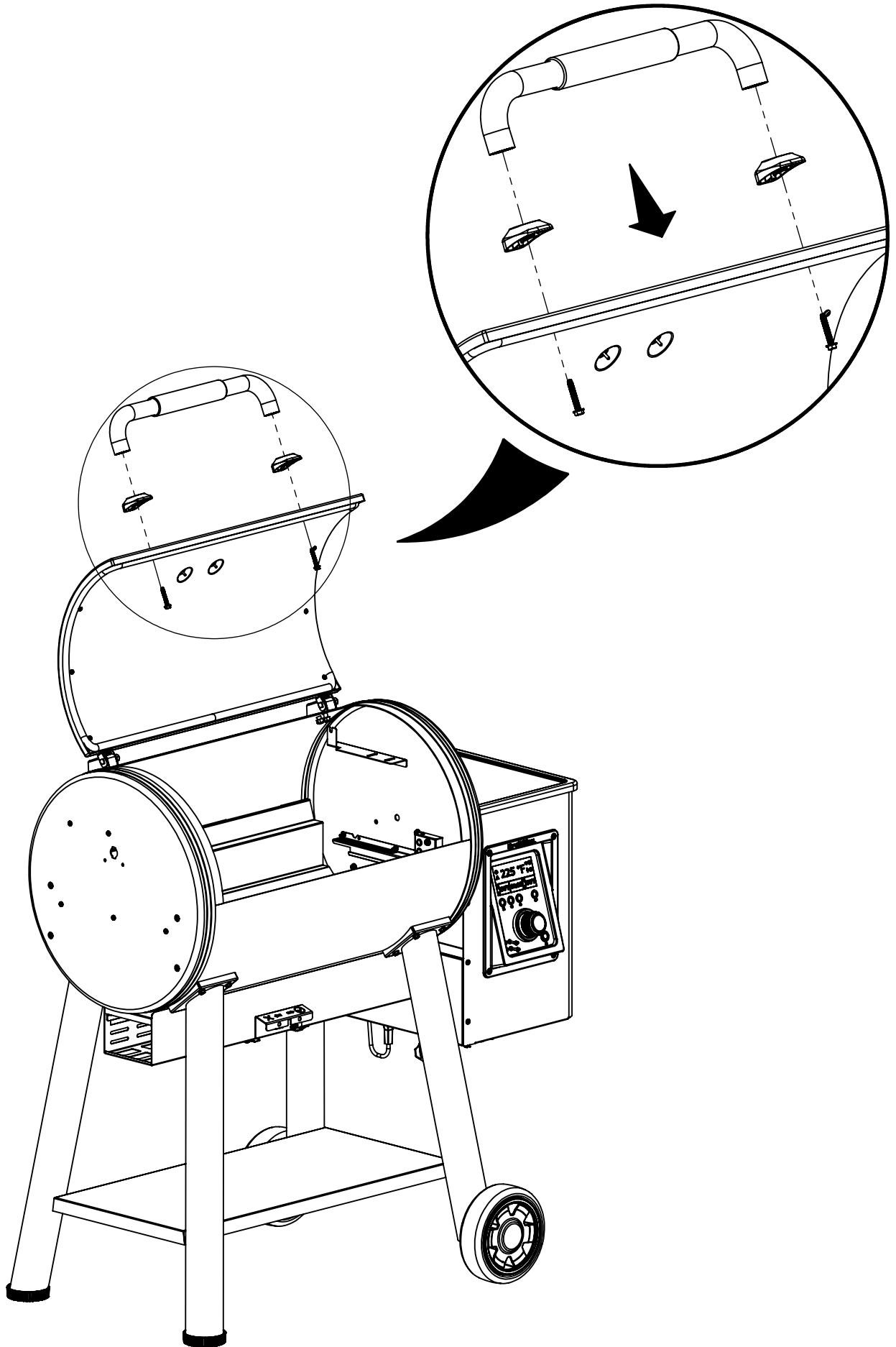
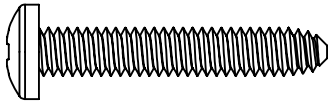
(2) 





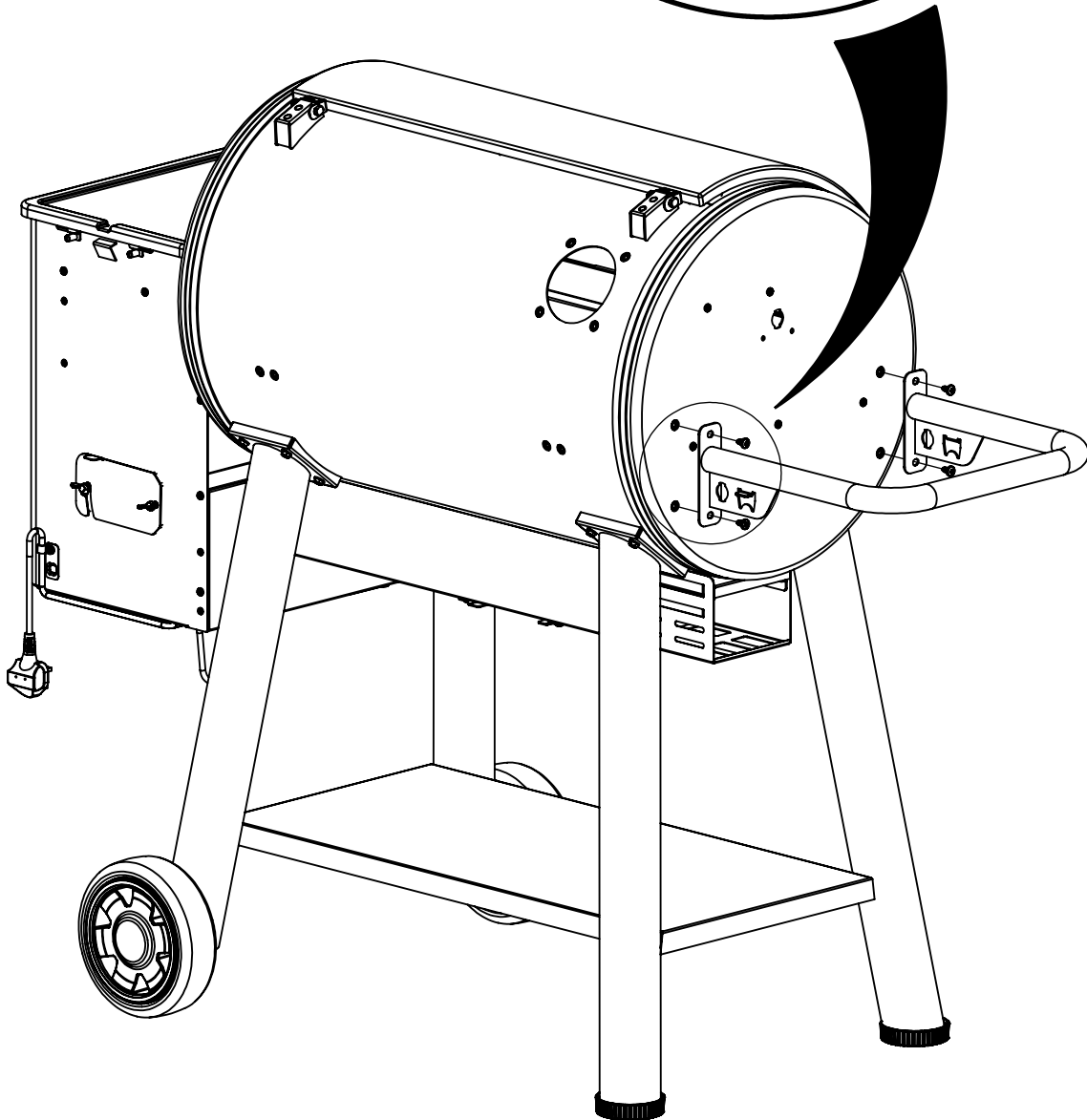
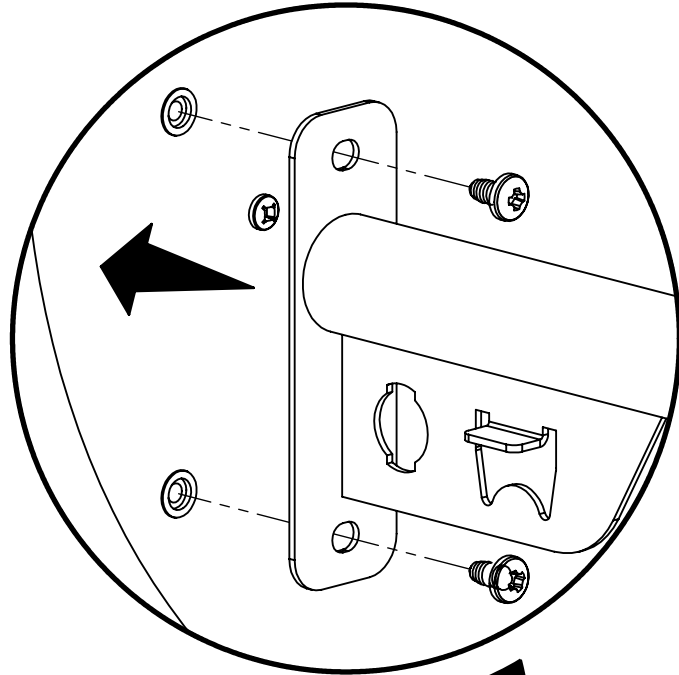
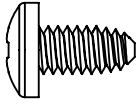
5

(2)

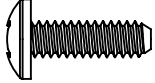


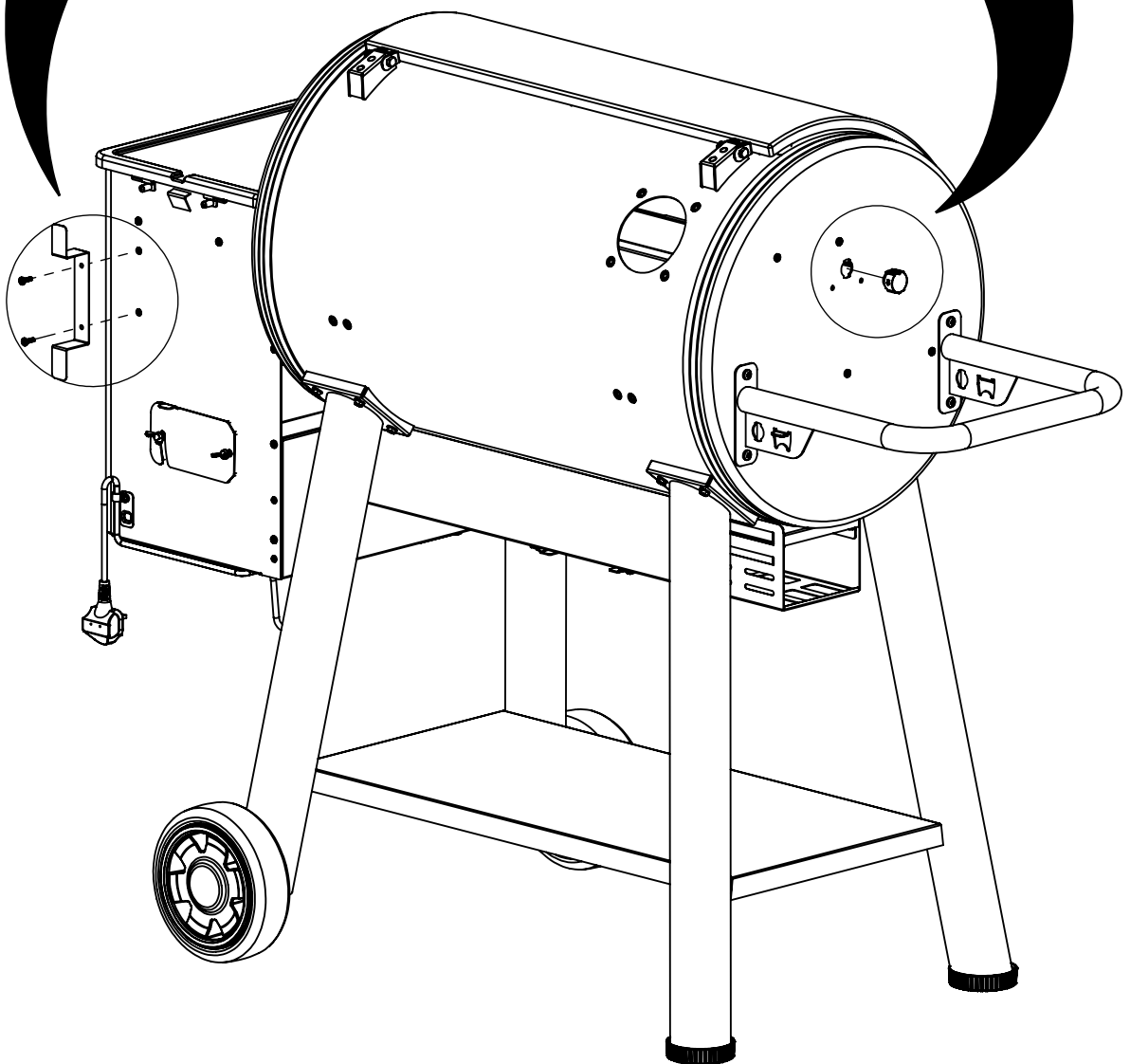
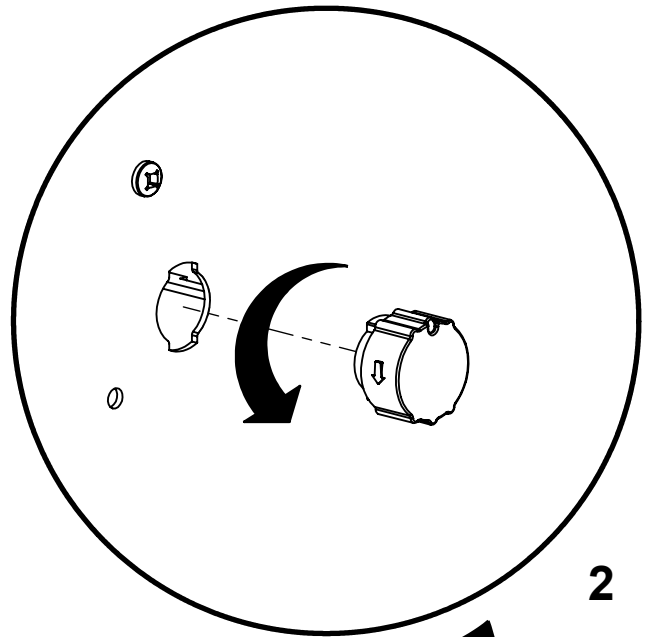
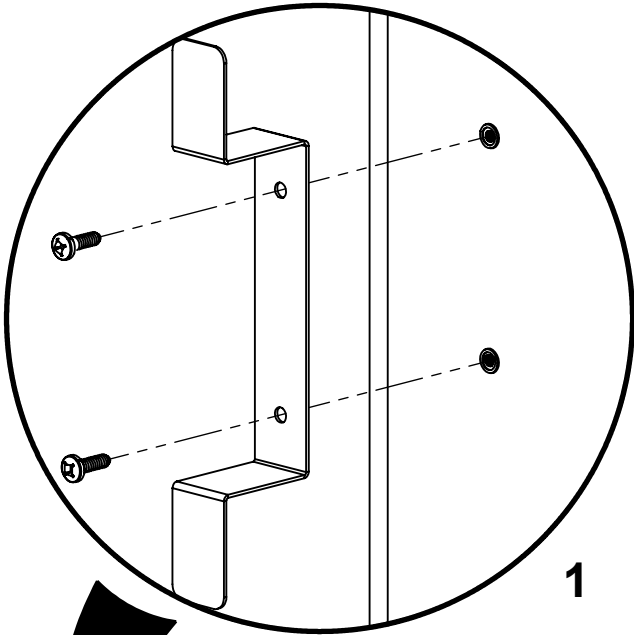
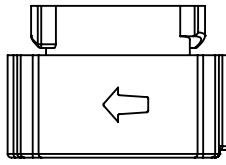
6

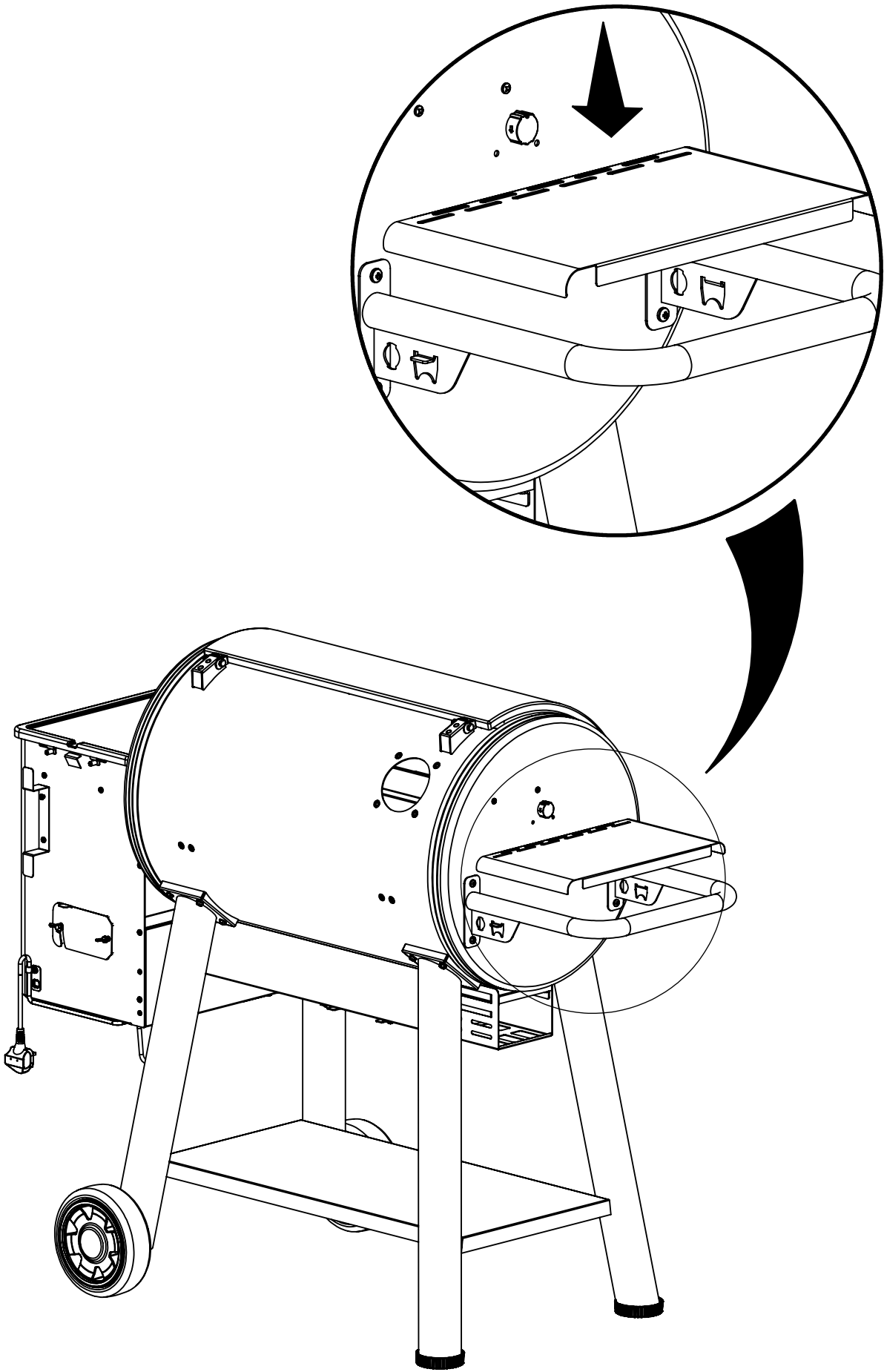
(4)



7

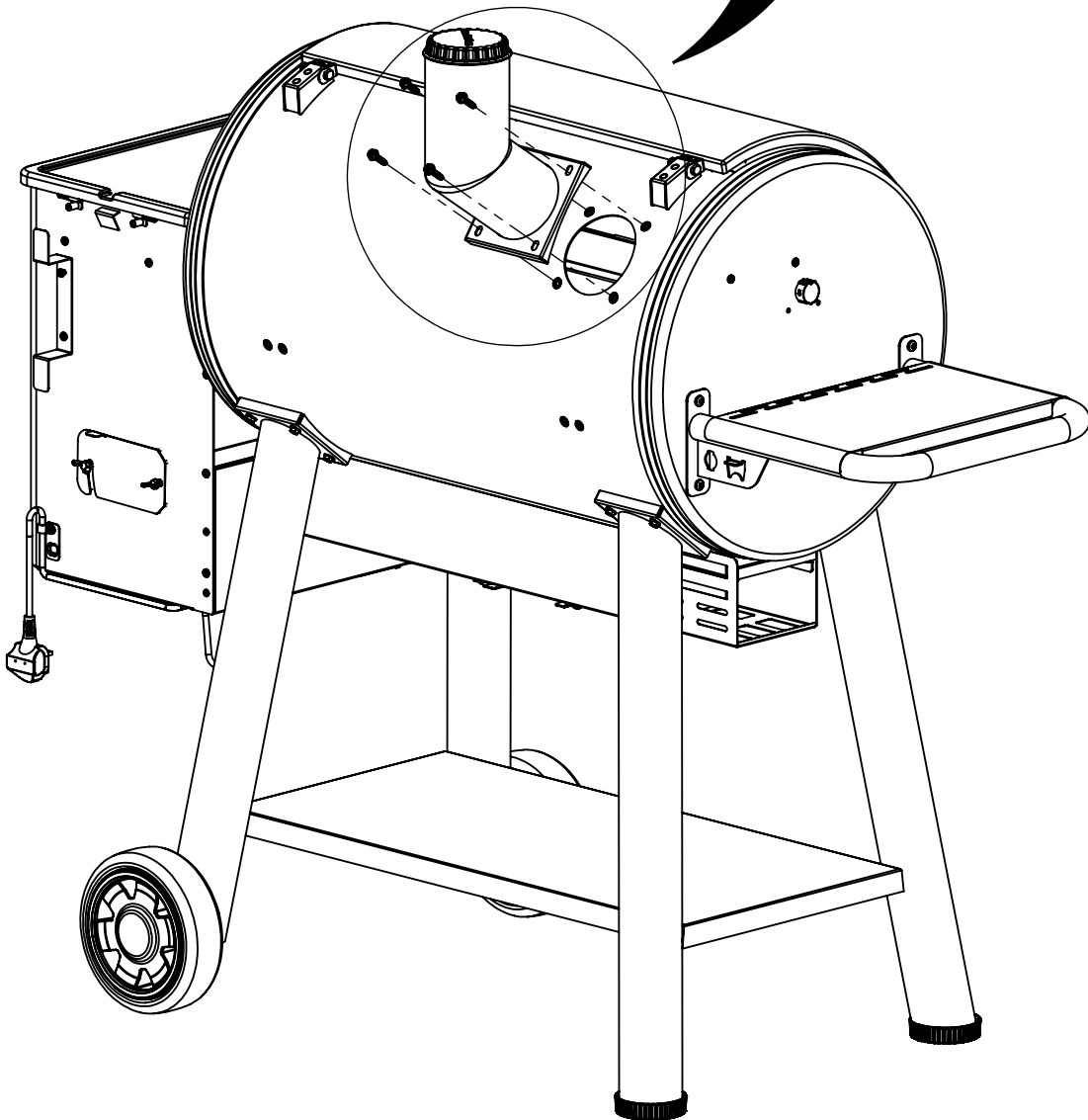
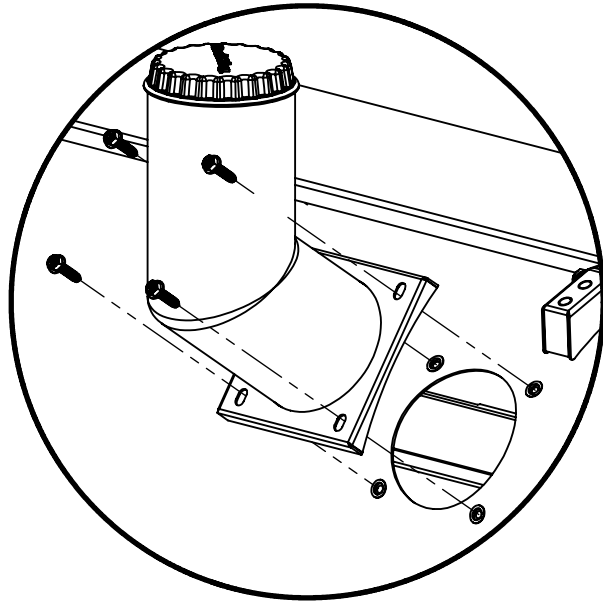
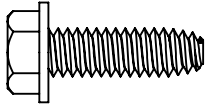
(2)  (1)





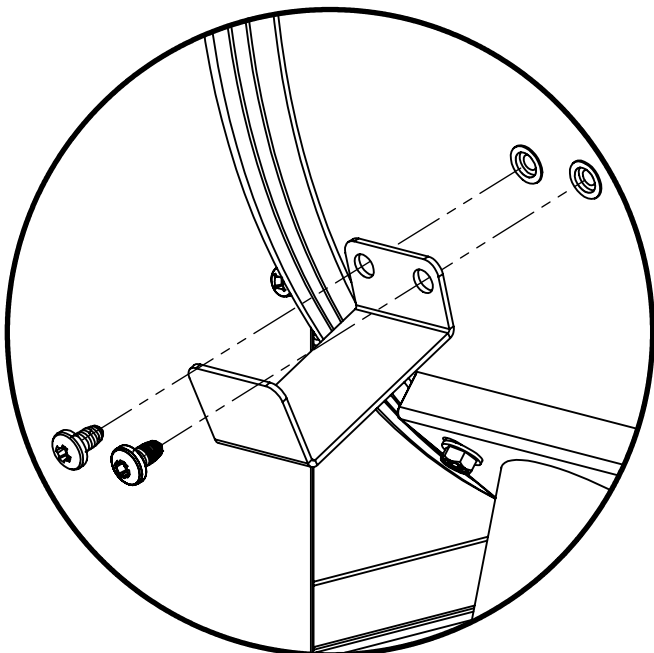
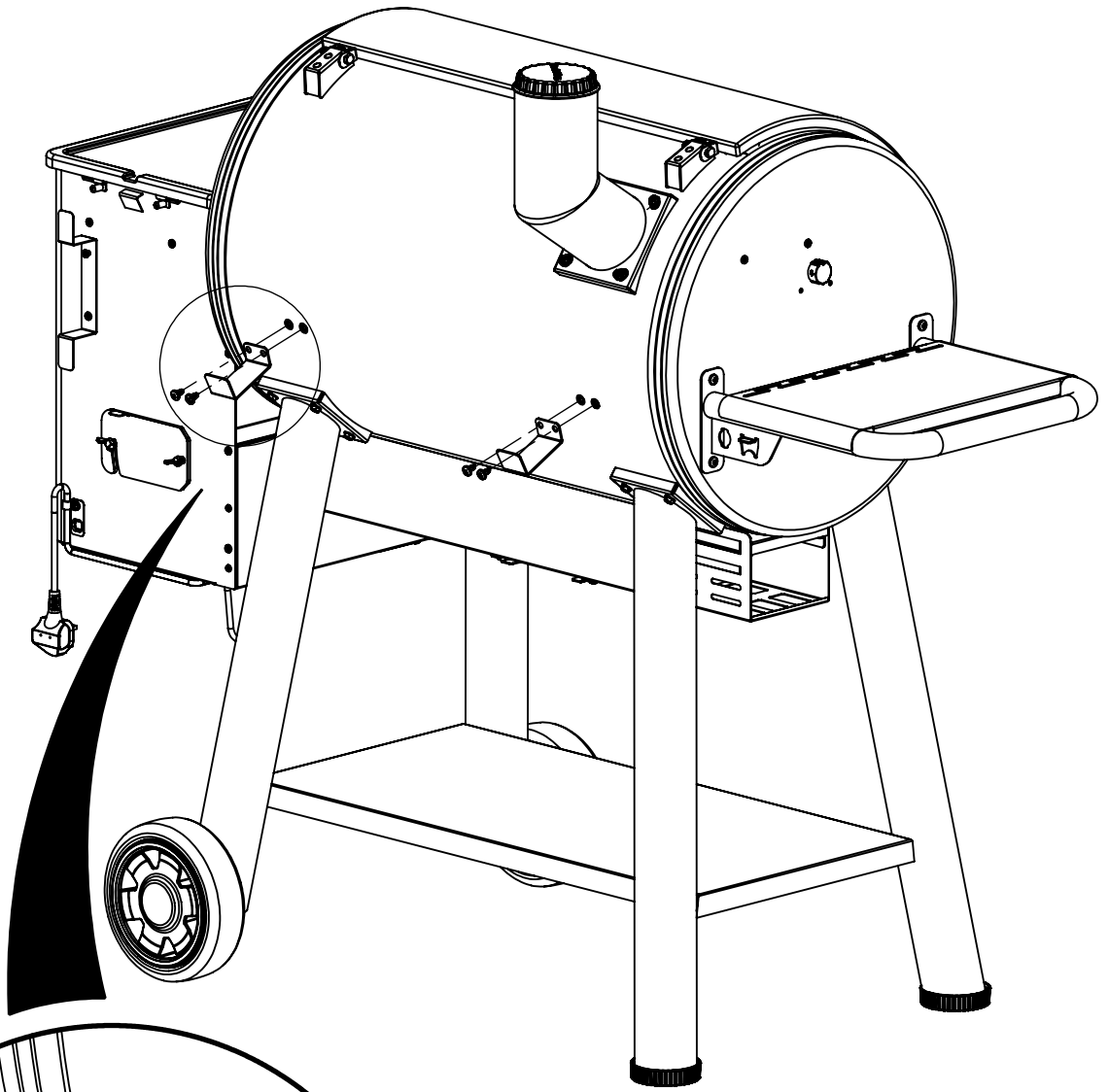
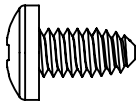
9

(4)



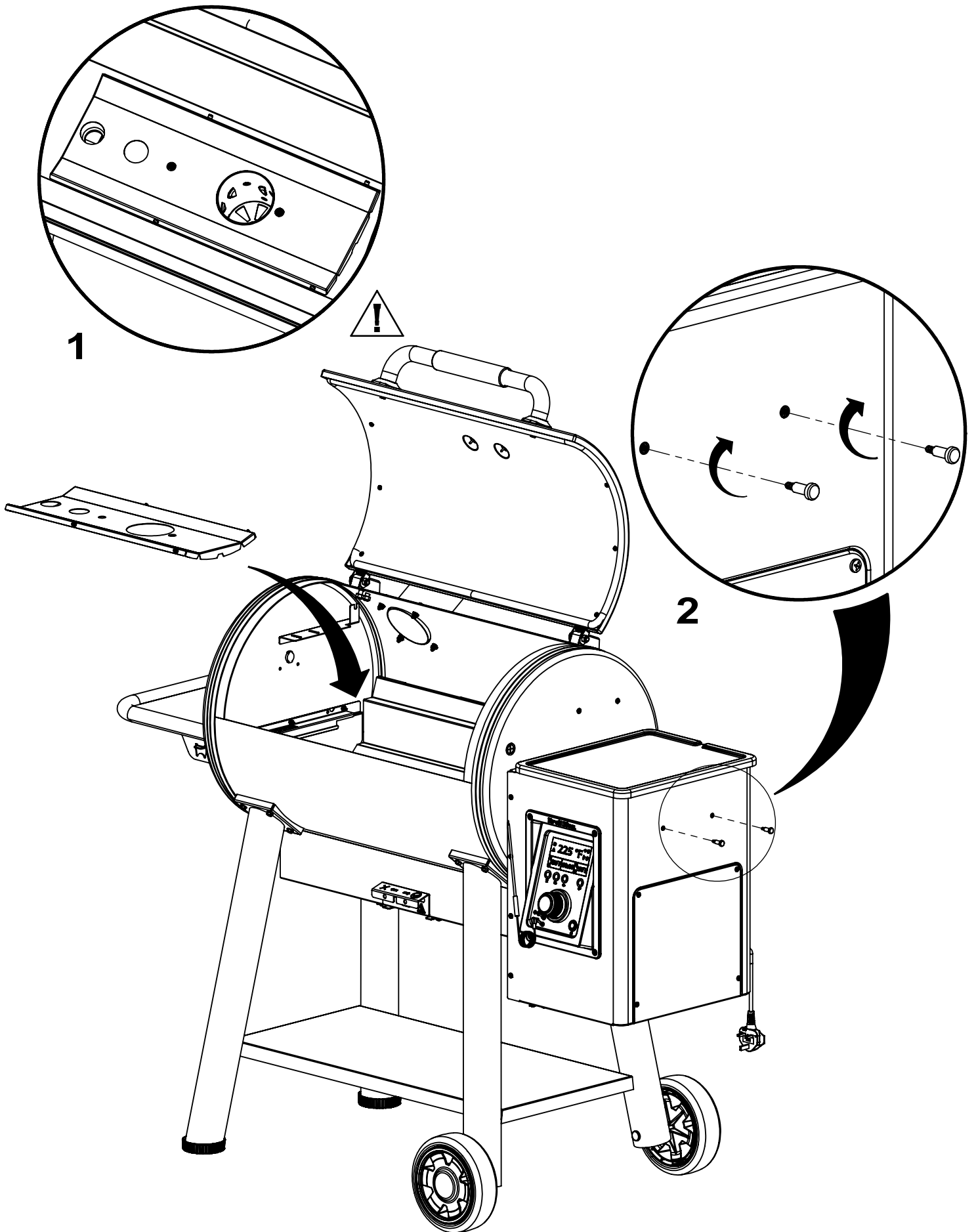
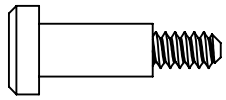
10

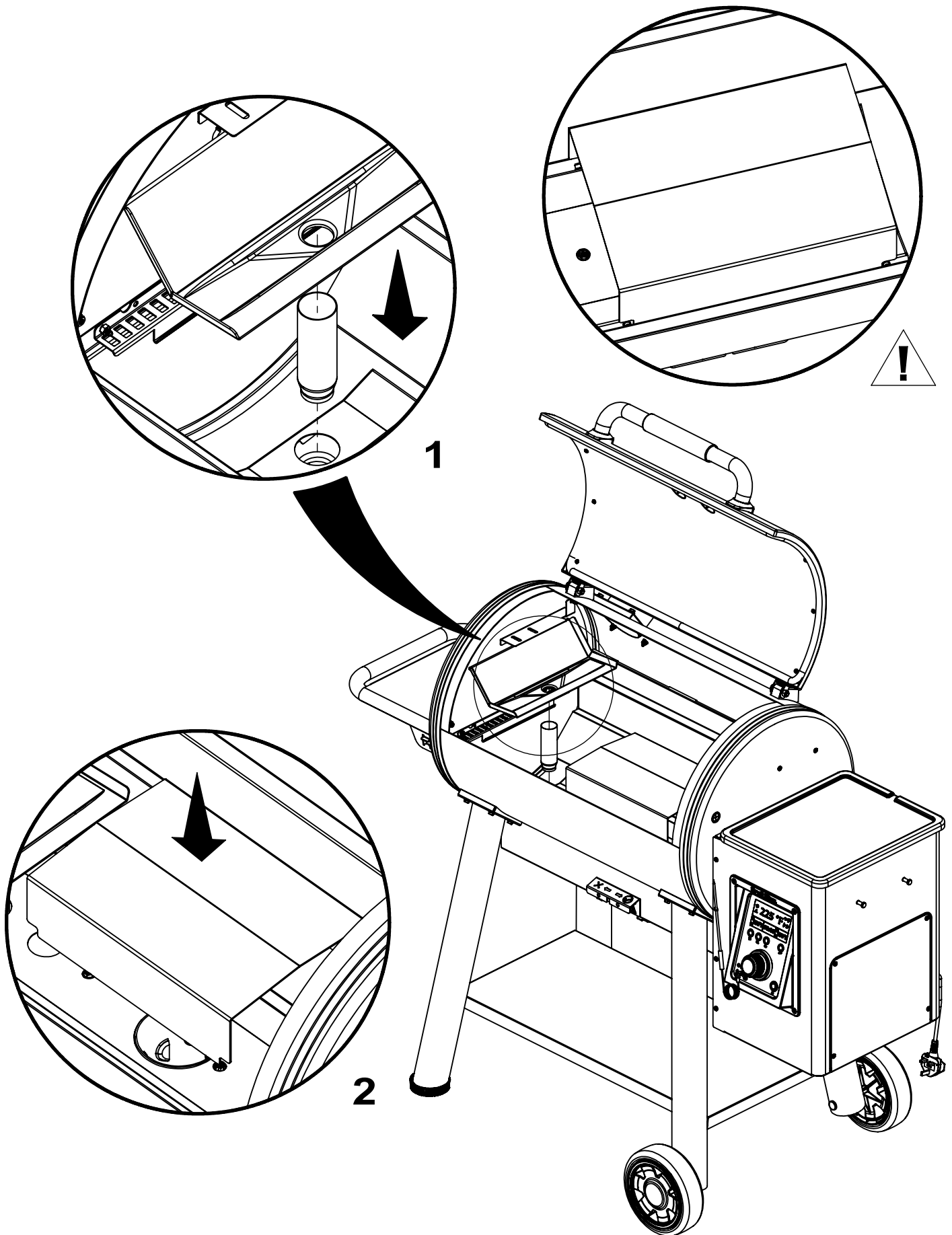
(4)

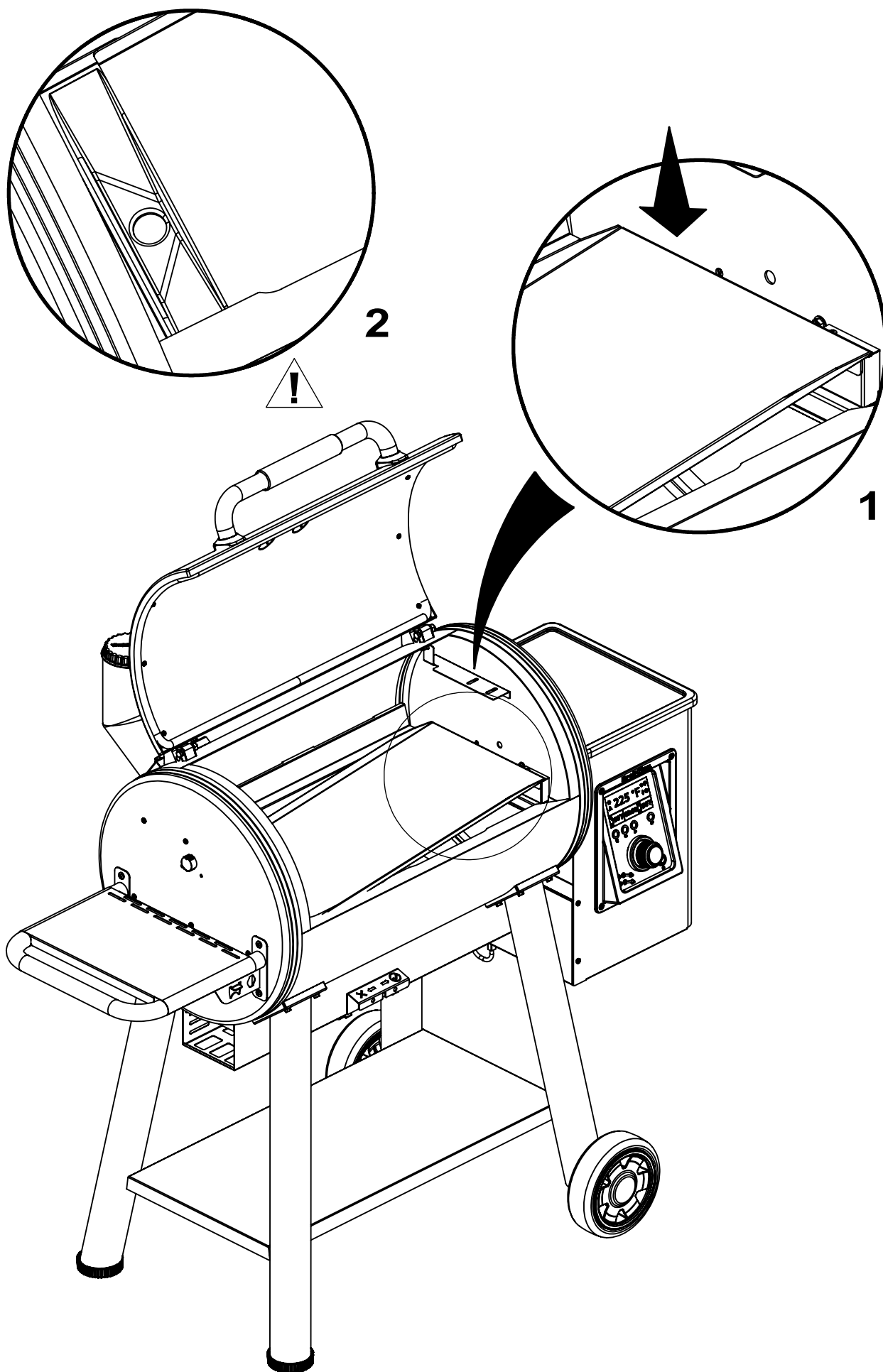


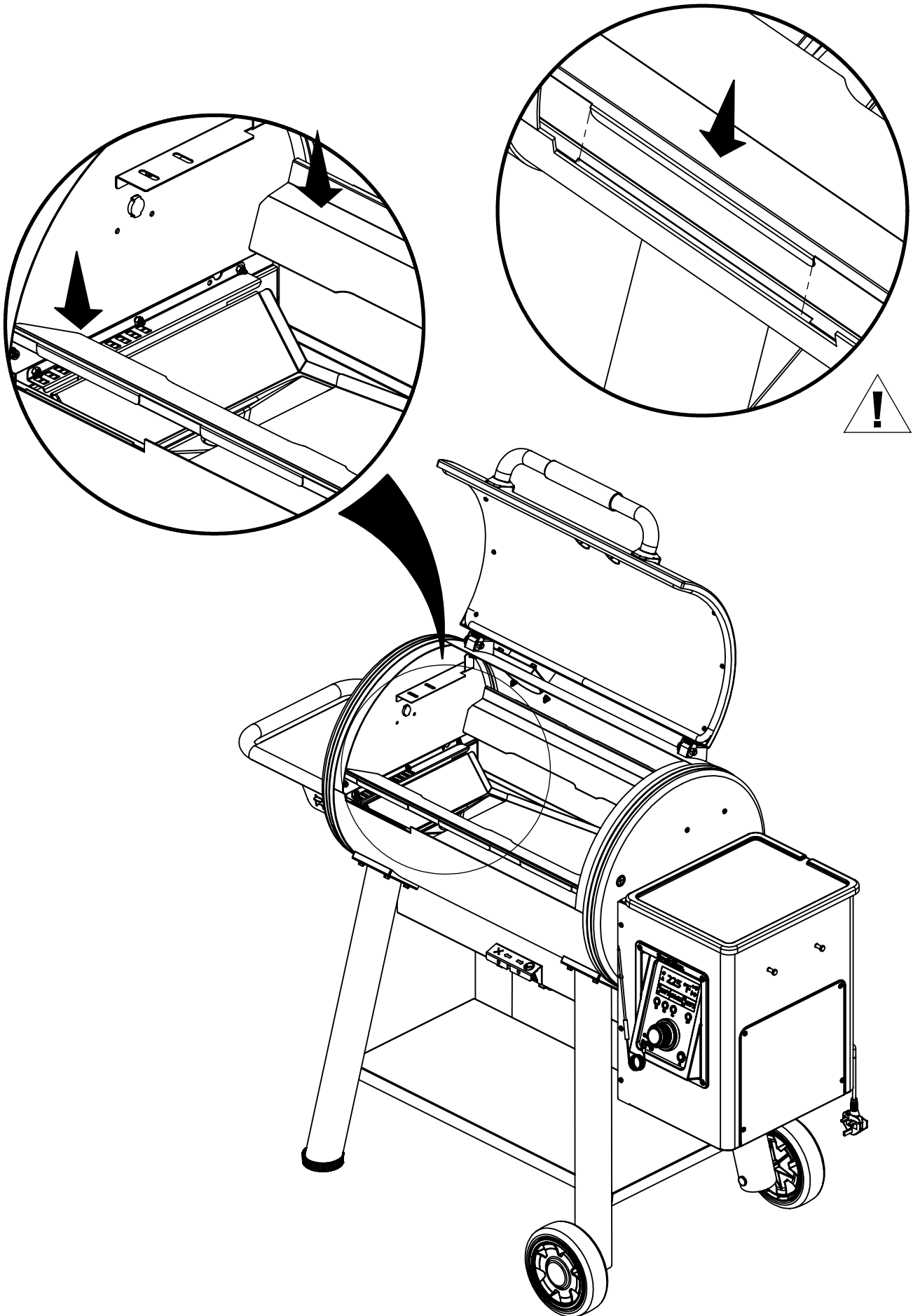
11

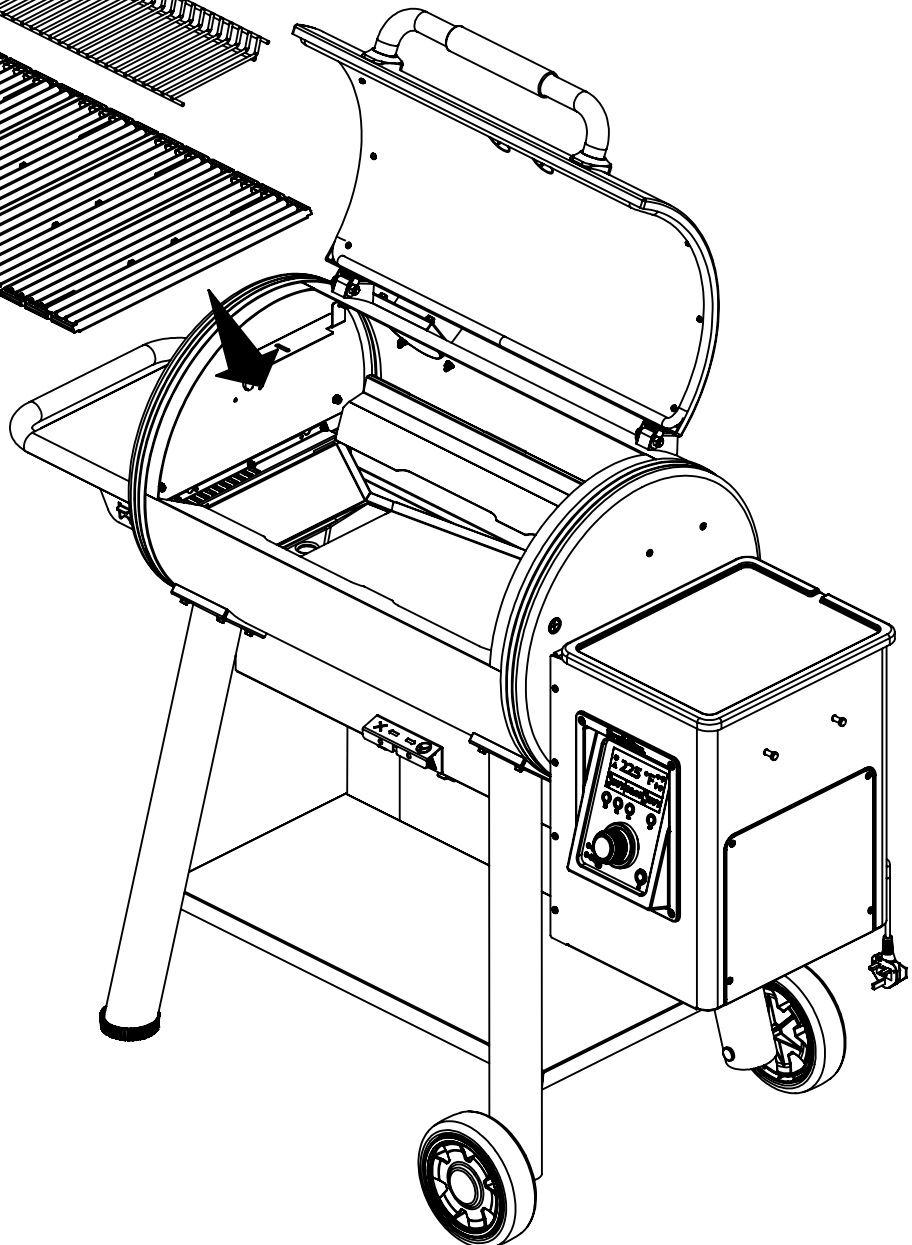
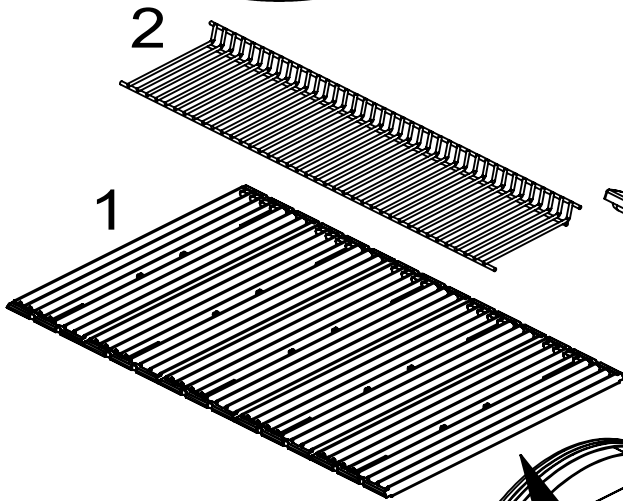
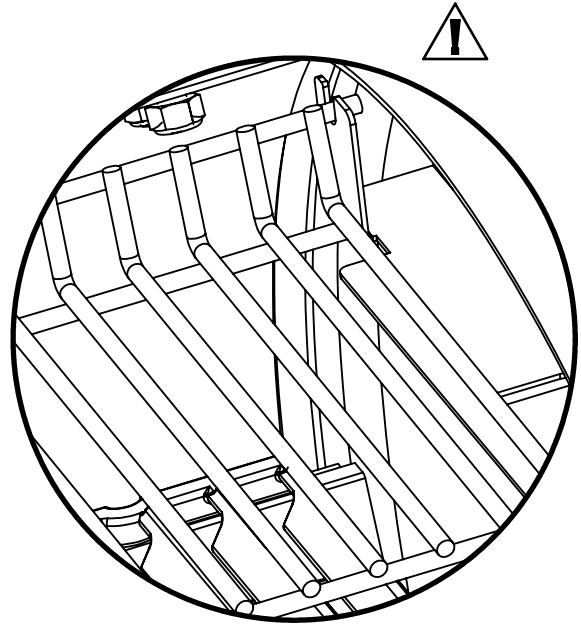
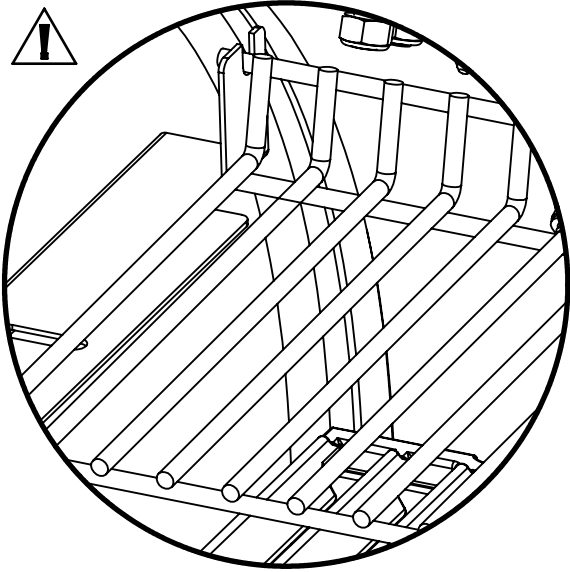
(2)

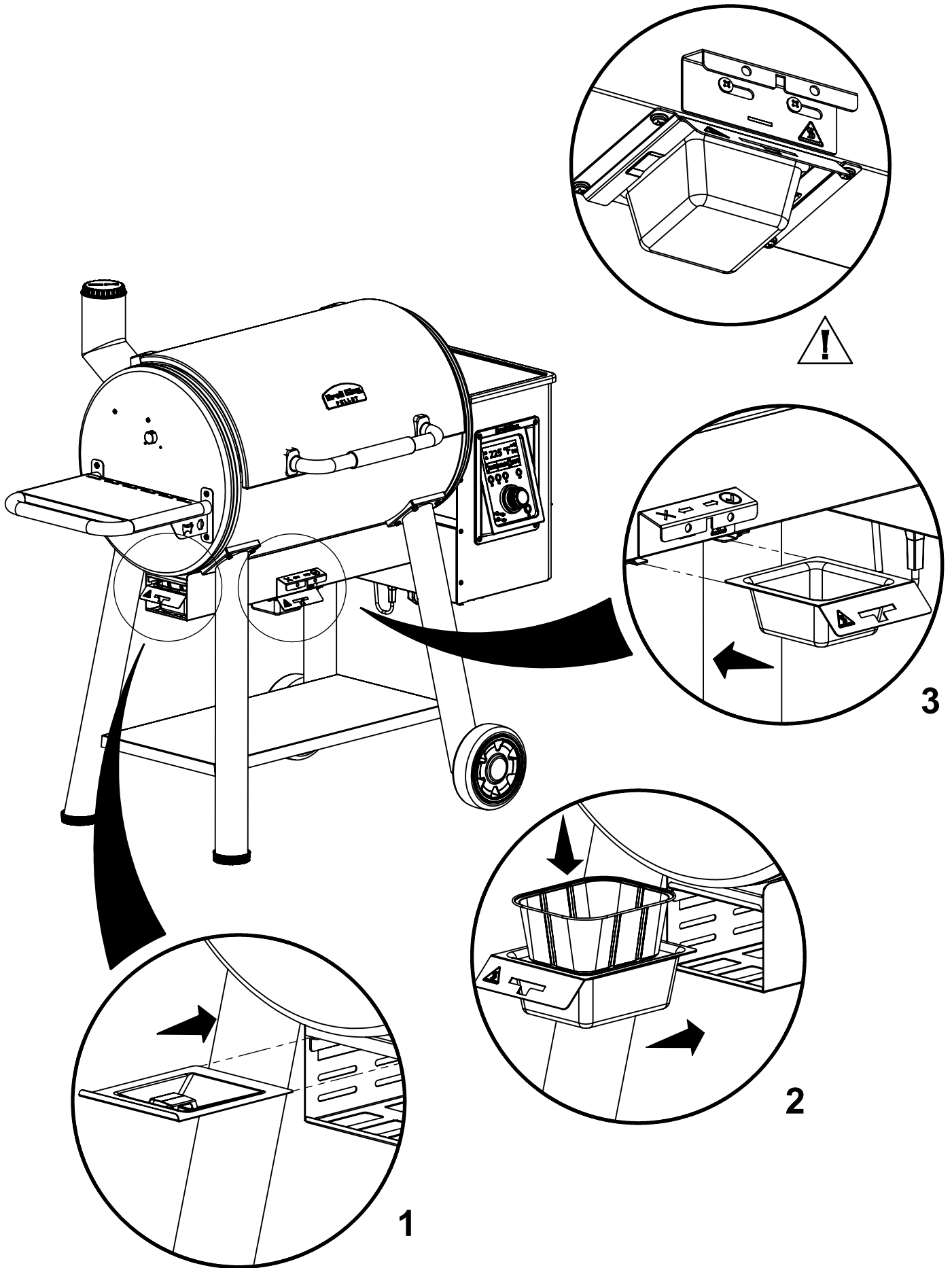


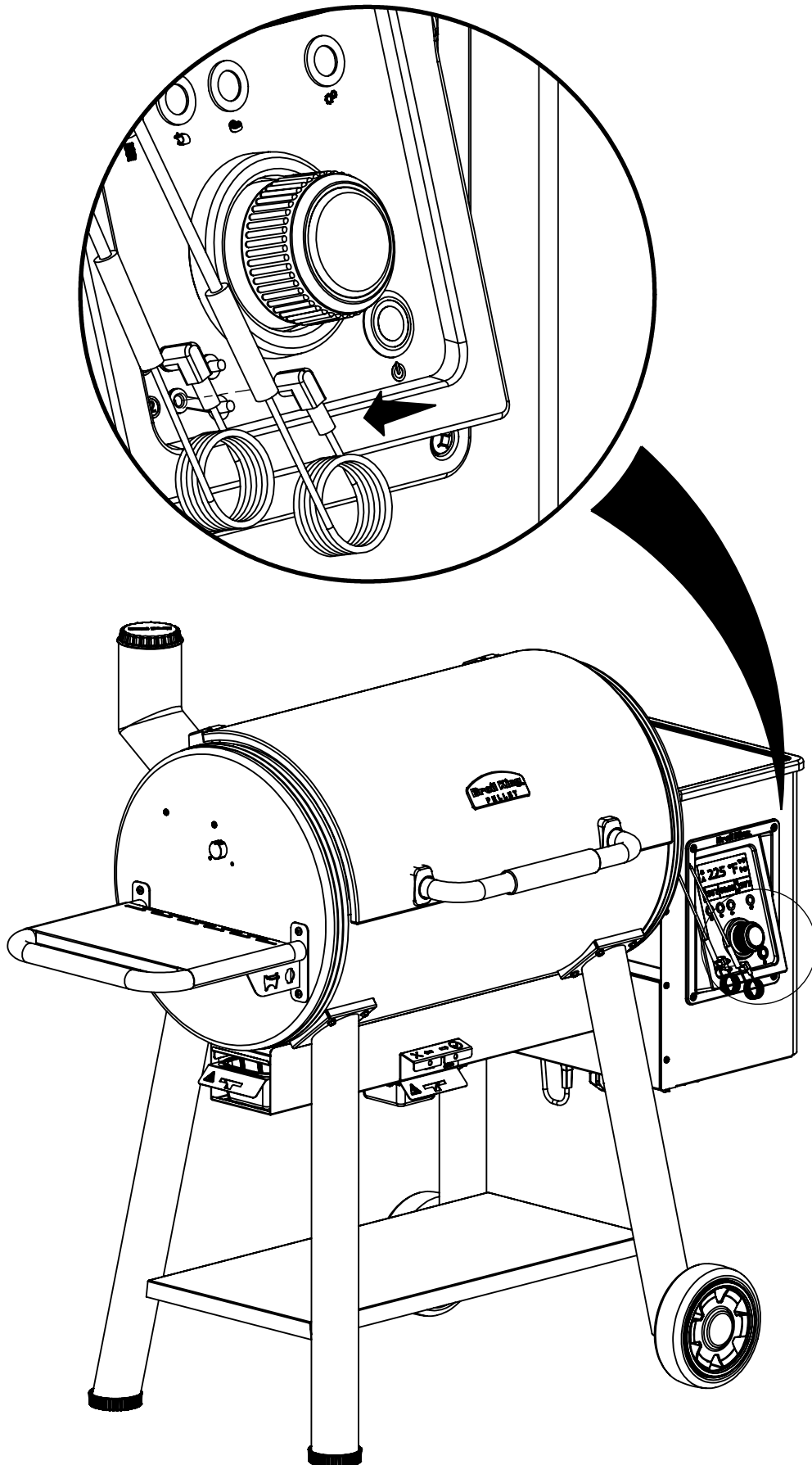












18

