

Broil King®



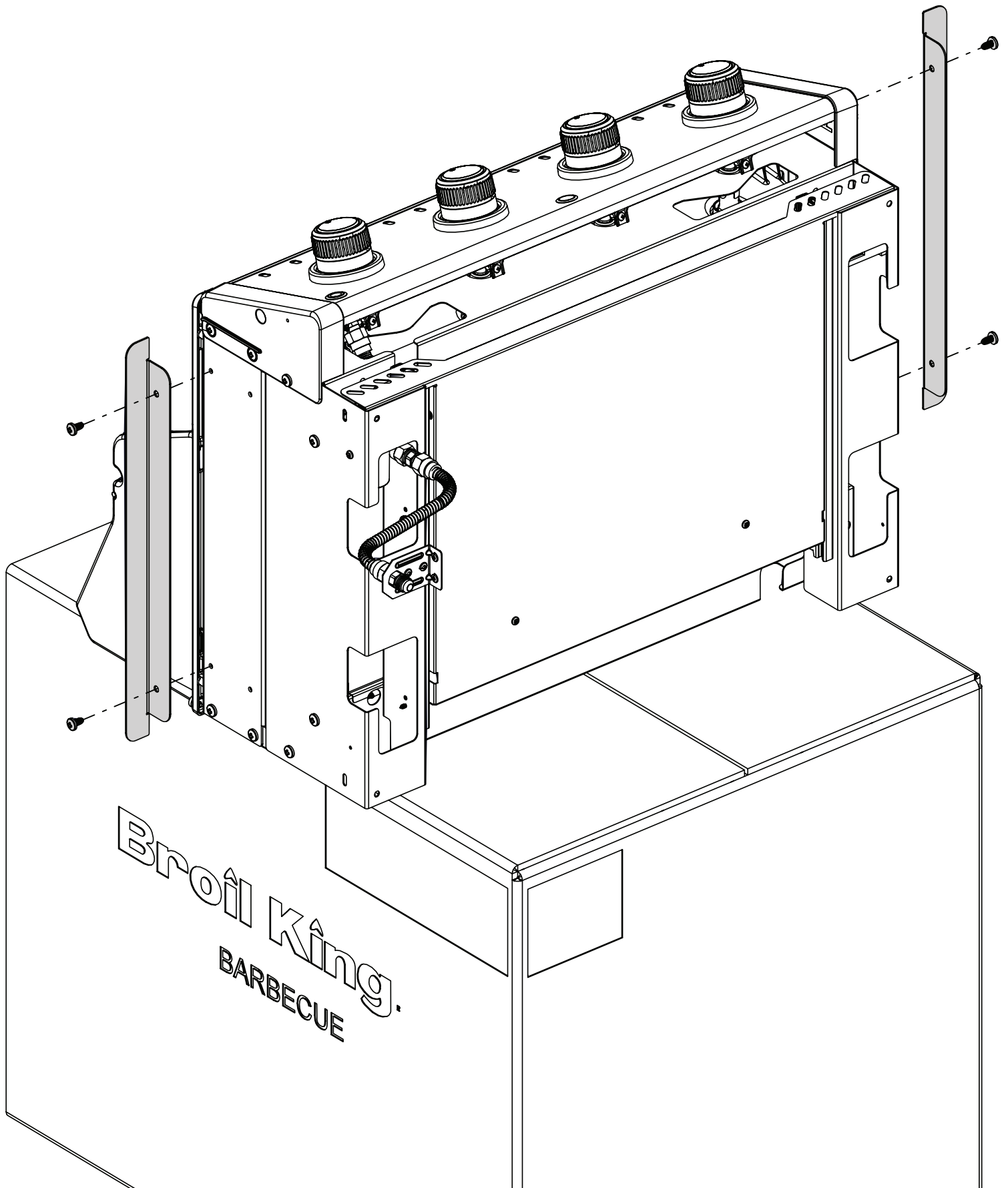
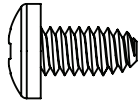
Broil King
BARON 420 BUILT-IN
8756-52
8756-53
8756-56

Onward
SINCE 1906
MANUFACTURING COMPANY
585 KUMPF DRIVE LIMITED
WATERLOO, ONTARIO, CANADA
N2V 1K3

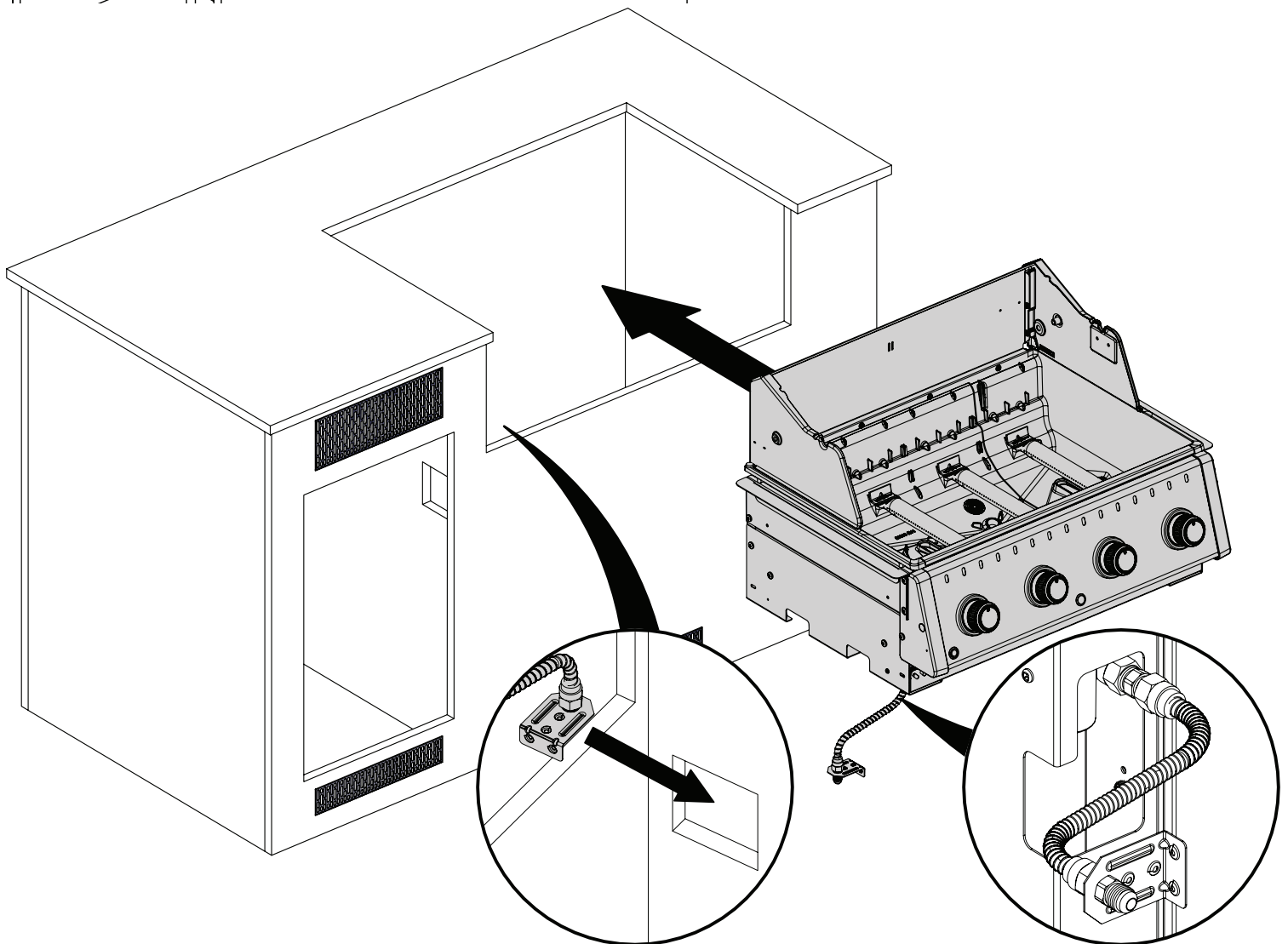
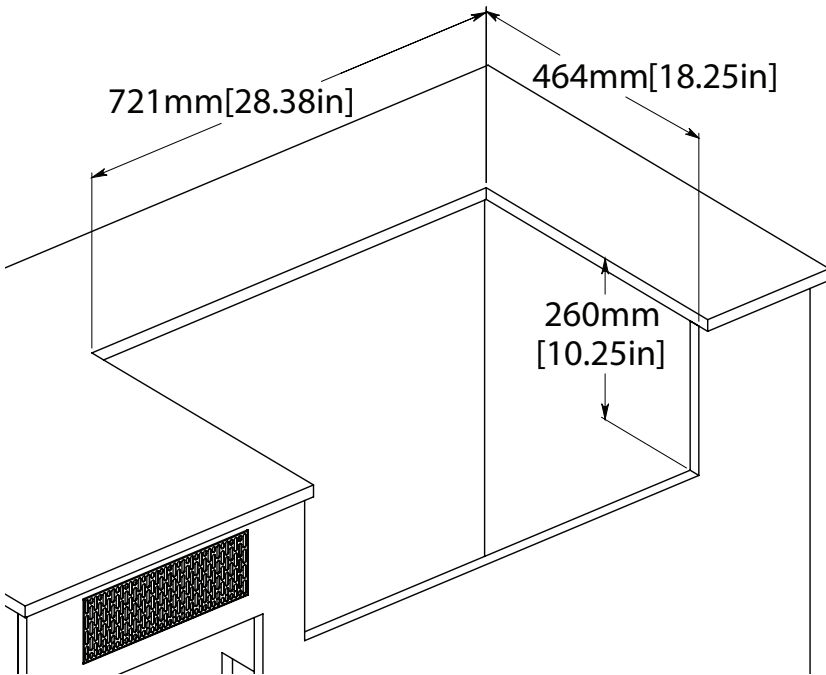
70084-E45EU REV F 11/23

1

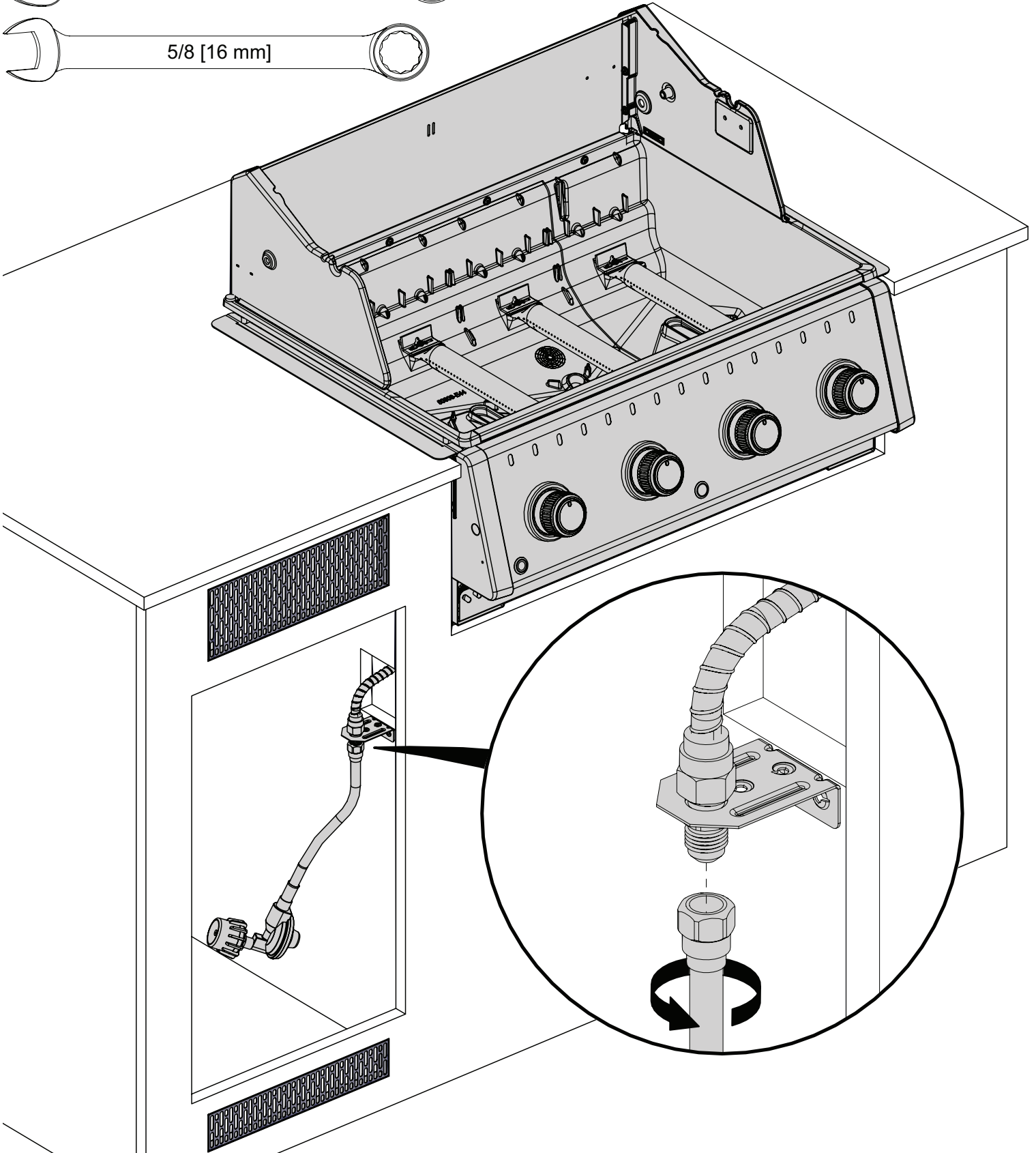
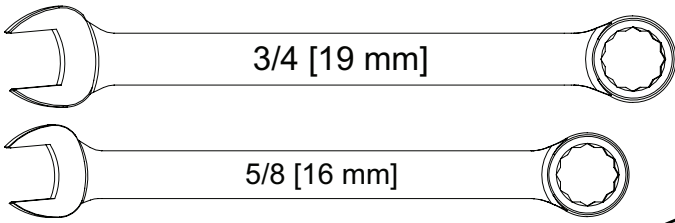
(4)



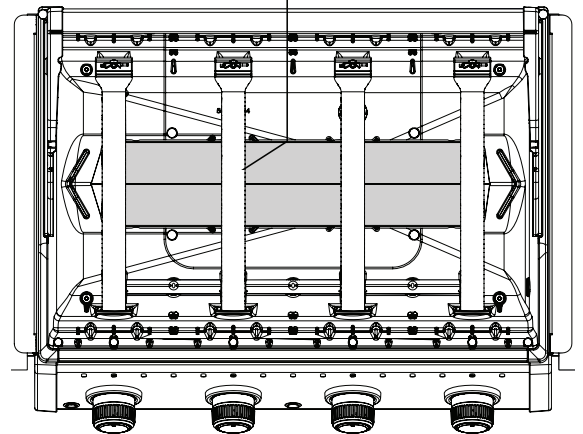
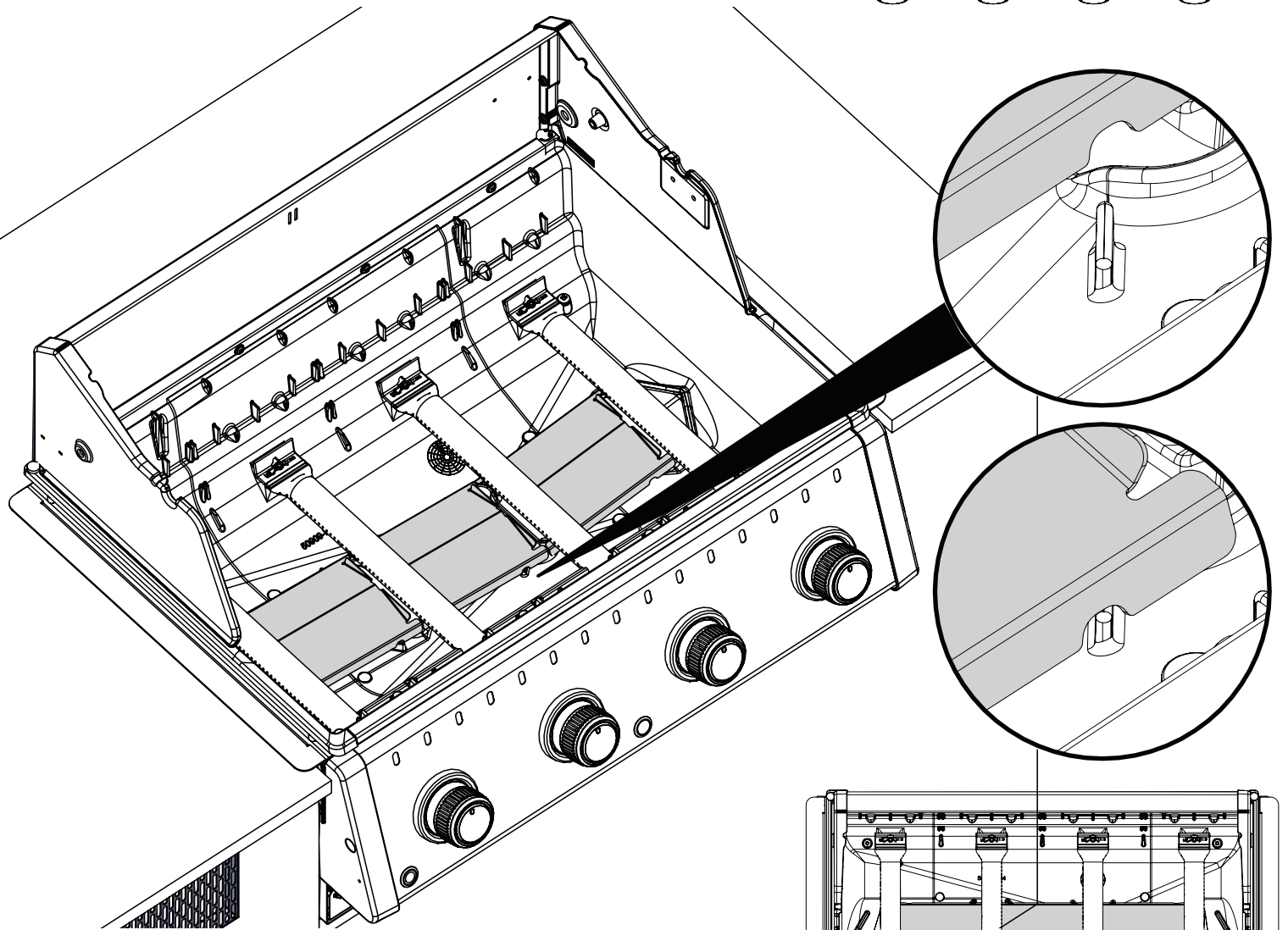
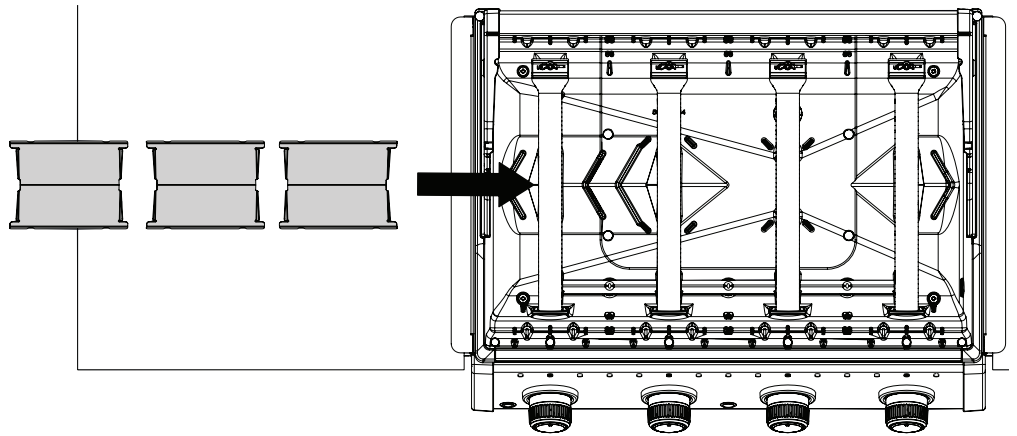
2



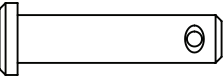
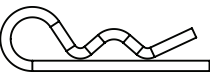
3

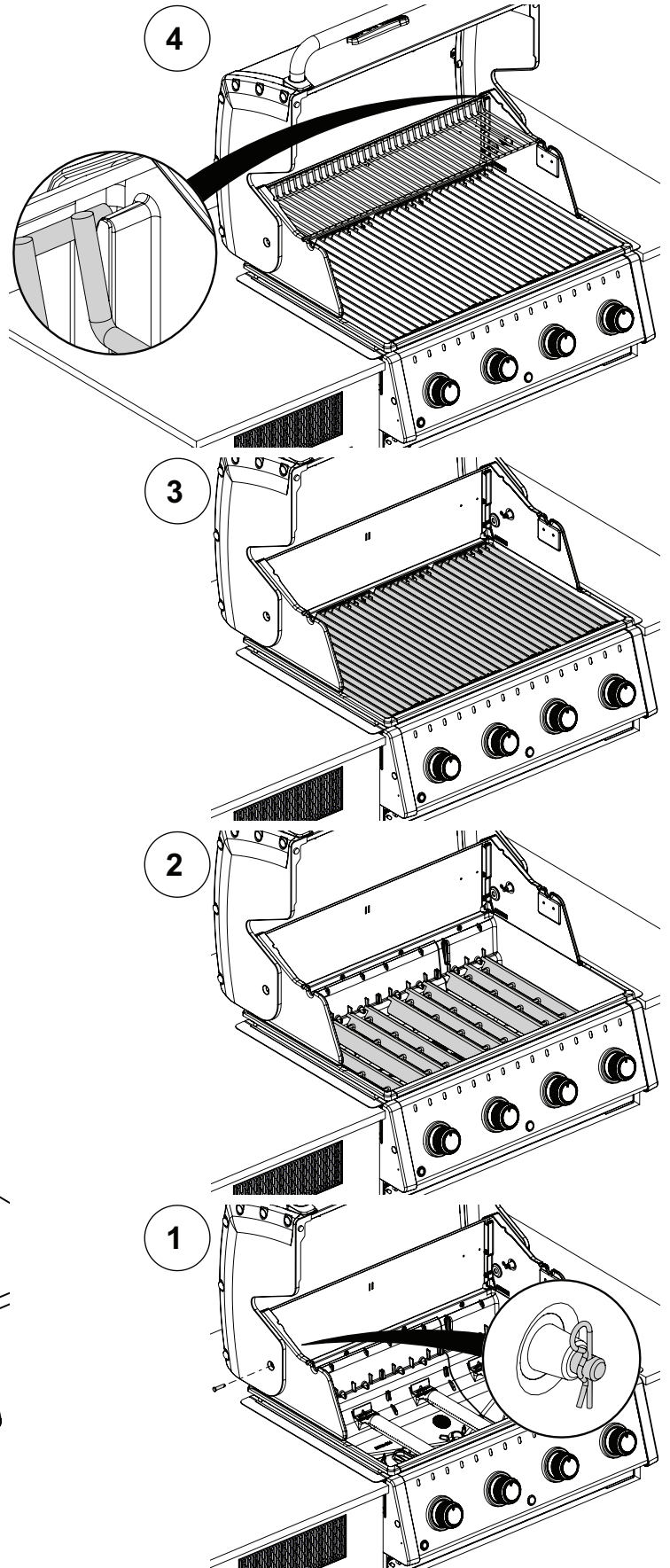
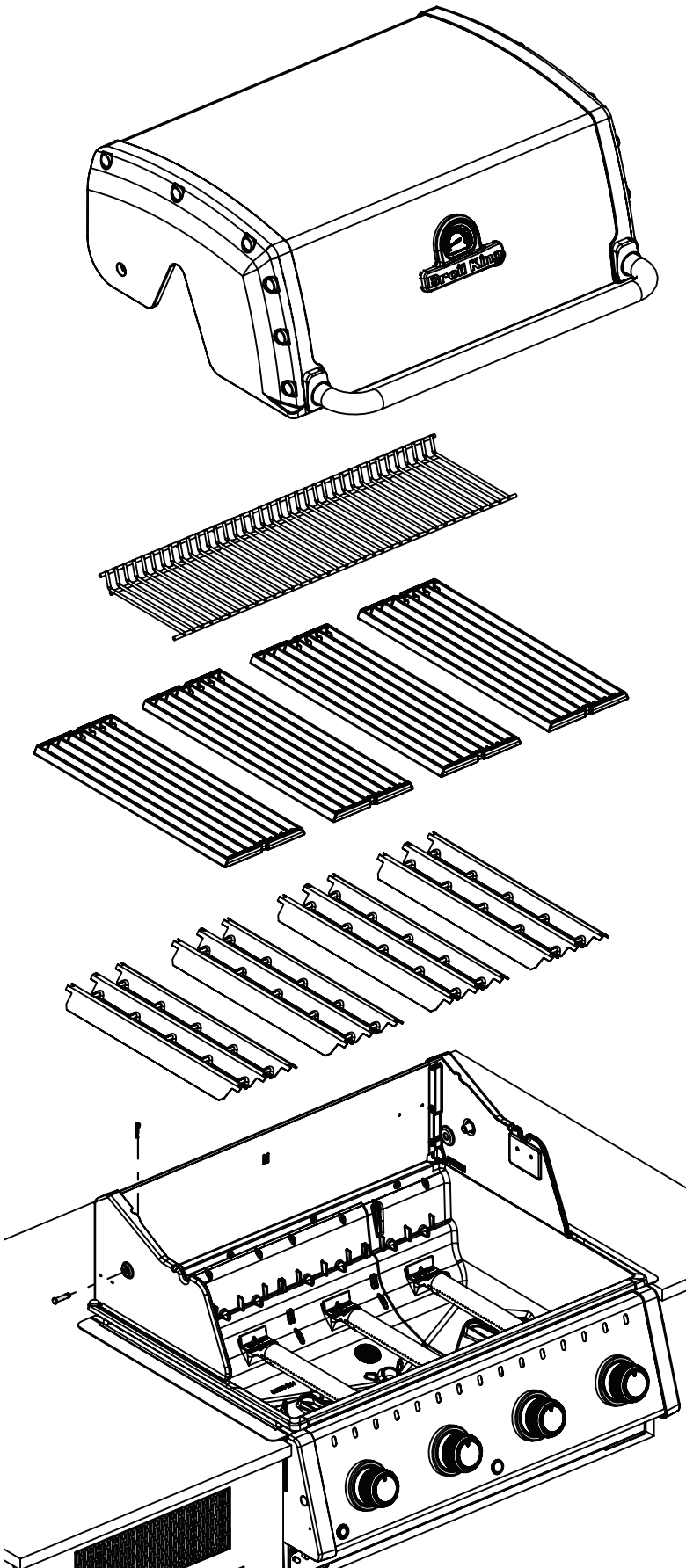


4

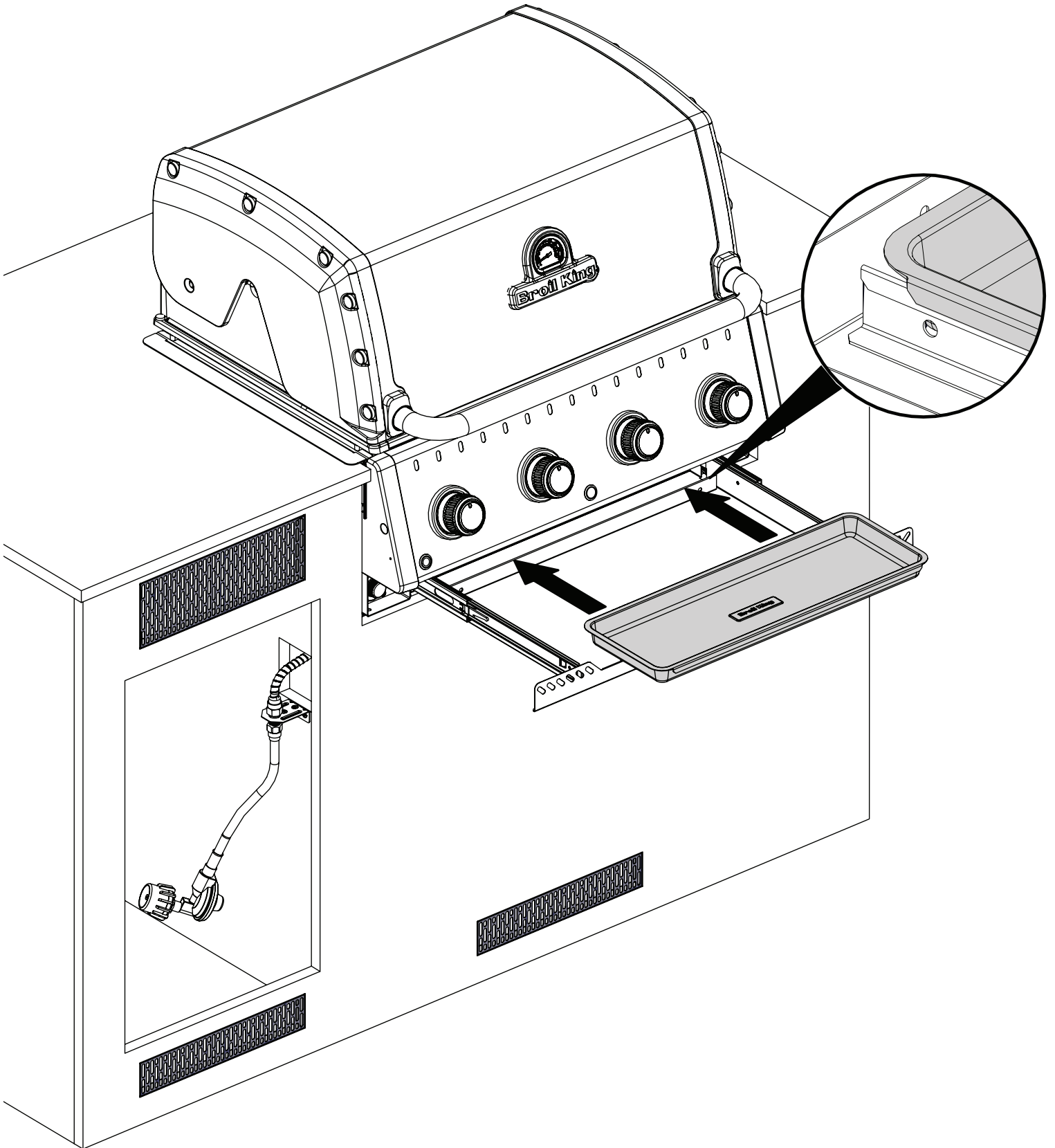


5

(2)  (2) 



6

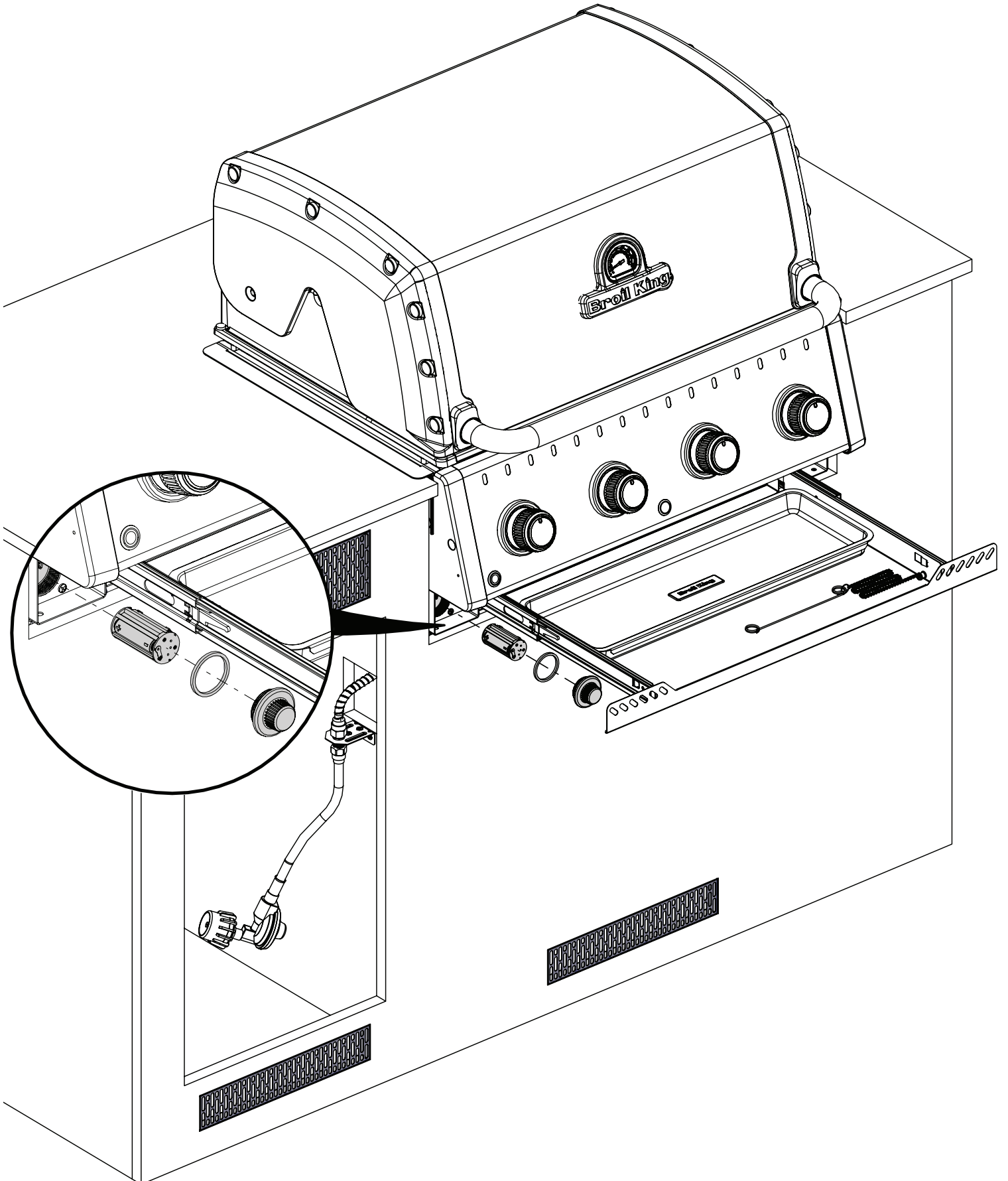


7

(3)



AA

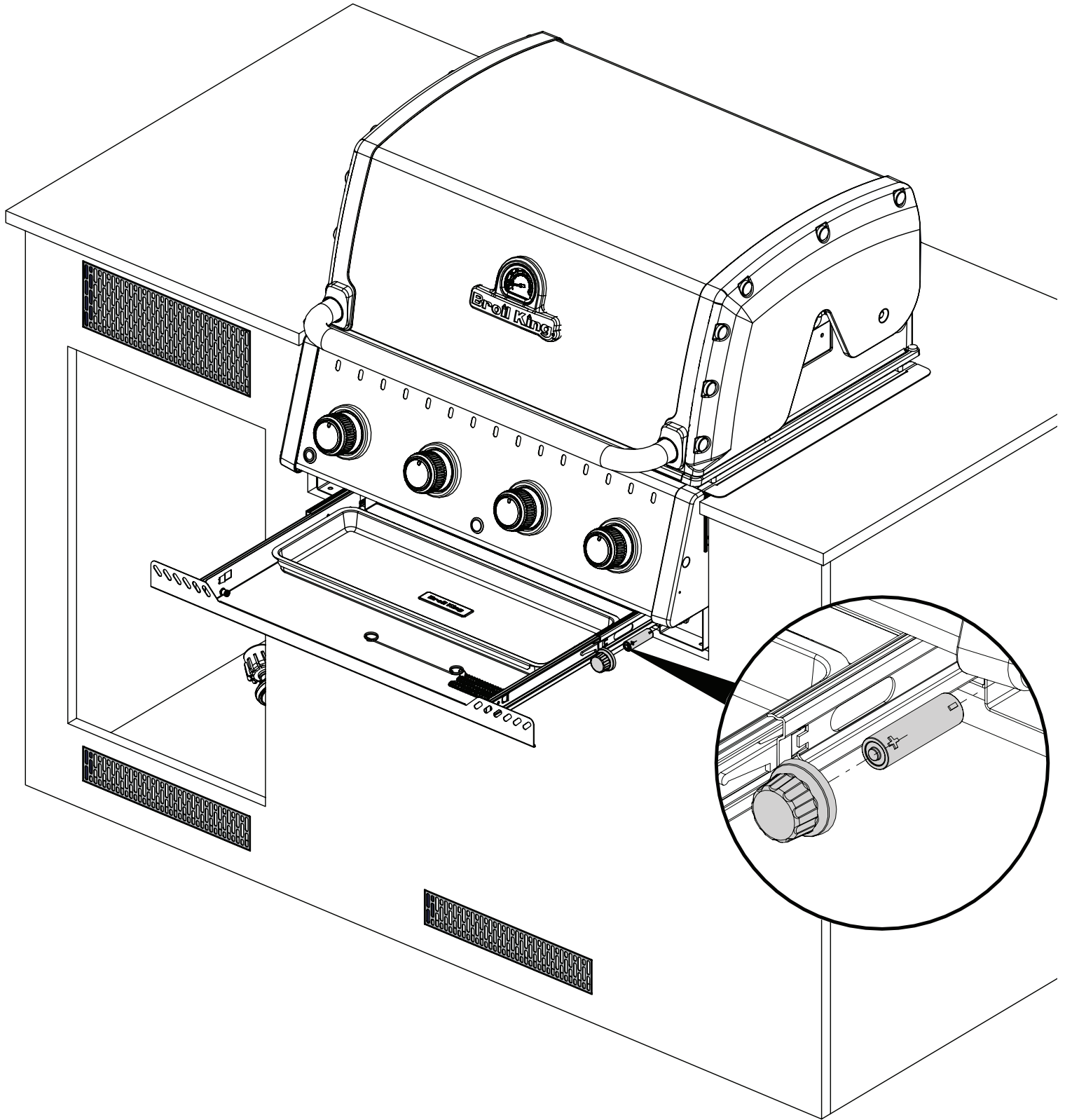


8

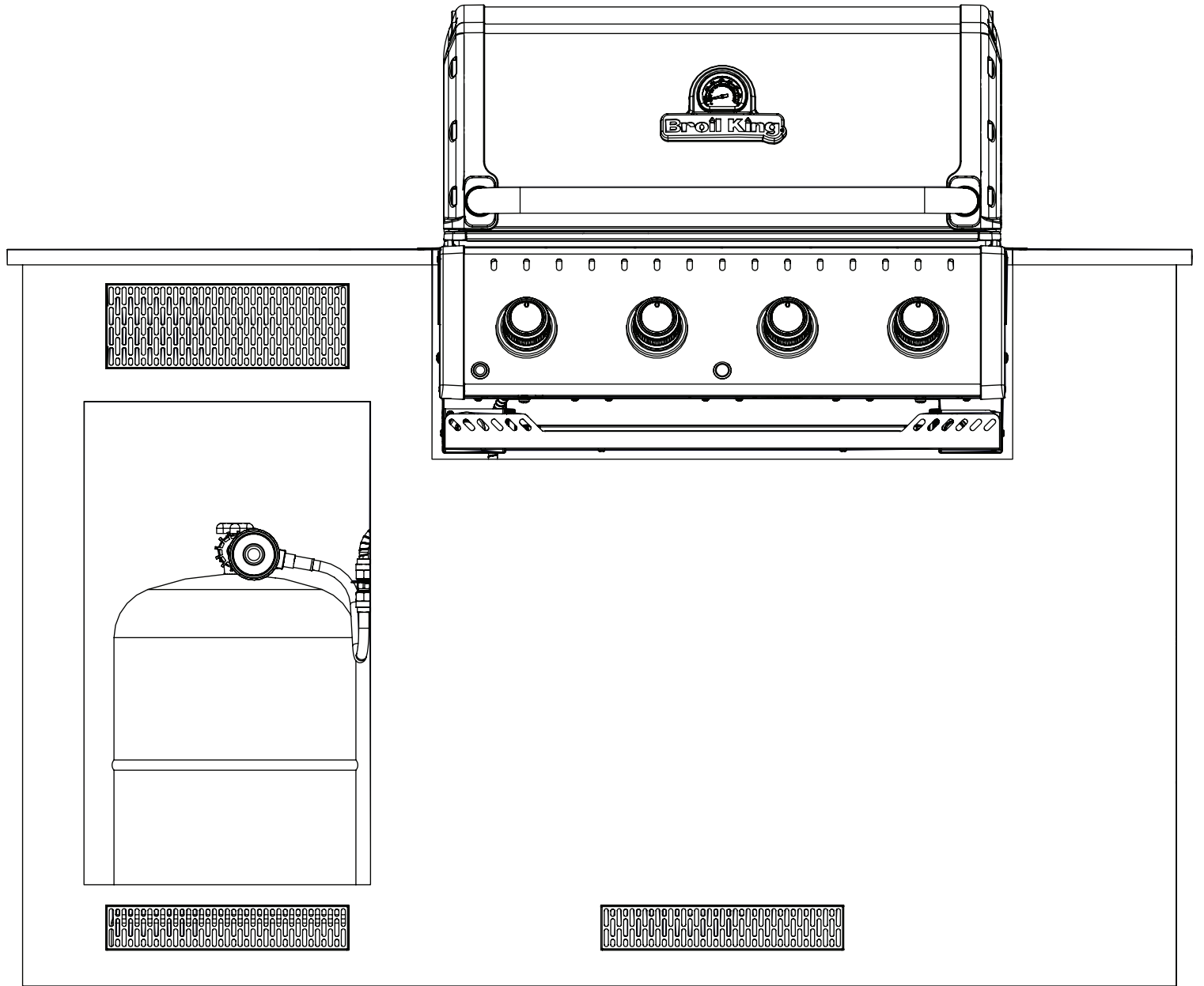
(1)



AA



9



<u>KEY #</u>	<u>ITEM #</u>	<u>8756-52</u>	<u>8756-53</u>	<u>8756-56</u>
1	72005-107	1	1	1
2	66005-301	1	1	1
7	Y-11544S	4	4	4
8	S21242	4	4	4
18	11241	4	4	4
20	52005-992	1	1	1
21	59805-012	1	•	•
	59805-013	•	1	•
	59805-016	•	•	1
22	22025-903A	1	1	1
23	Y-12851	2	2	2
24	10111-16A	2	2	2
25	18631	4	4	4
26	22001-769	4	4	4
27	22002-264	4	4	4
28	52005-814	1	1	1
31	52029-918	1	1	1
32	52029-938	1	1	1
41	10342-E13	1	1	1
42	10342-E22	1	1	1
44	52005-001A	1	1	1
44A	25070-925	1	1	1
44B	25070-93	1	1	1
45	72039-903	1	1	1
46	71039-903	1	1	1
48	72055-007	1	1	1
49	71065-001R	1	1	1
51	18431	4	4	4
52	52149-004	3	3	3
56	24005-12A	1	1	1
58	54009-936	2	2	2
59	10081-BK630	1	1	1
60	18013	1	1	1
65	20005-000	1	1	1
74	Y-99101	1	1	1
80	51629-081	2	2	2
88	55039-401	1	1	1
114	55019-081	2	2	2
140	S21125	4	4	4
141	Y-11559	2	2	2
145	S21235	2	2	2
146	S21233	2	2	2
147	Y-11231	4	4	4
155	S21124	2	2	2
159	S21127S	8	8	8
160	Y-29304	5	5	5
181	25030-73	1	1	1
181A	25070-95	1	1	1
184	20025-803	1	1	1
186	Y-12865	14	14	14
190	25020-84	1	1	1

